

NEW DÉCOR

Mounting and Fixing instructions.



IMPORTANT: Screws must be fastened and tightened as shown in this document. Failure to correctly fasten the screw will result in the product not functioning correctly and may cause the product to leak.

Contents*

Your **NEW DÉCOR** radiator comes with a pack of brackets and screws that contains the following:

- A** Brackets for horizontal and vertical models x 4 (or 6 for larger radiators)
- B** Short plug screws*
- C** Long separating screw (red end)*
- D** Decorative screw covers*
- E** Anti vibe clip (horizontal and vertical only)
- F** Plug and vent
- G** Allen key

Please unpack and carefully check the contents, in the event that items are missing please contact **MYSON** immediately and do not commence the installation.

*quantities vary depending on the model. For full details see table below.

Table of model variations

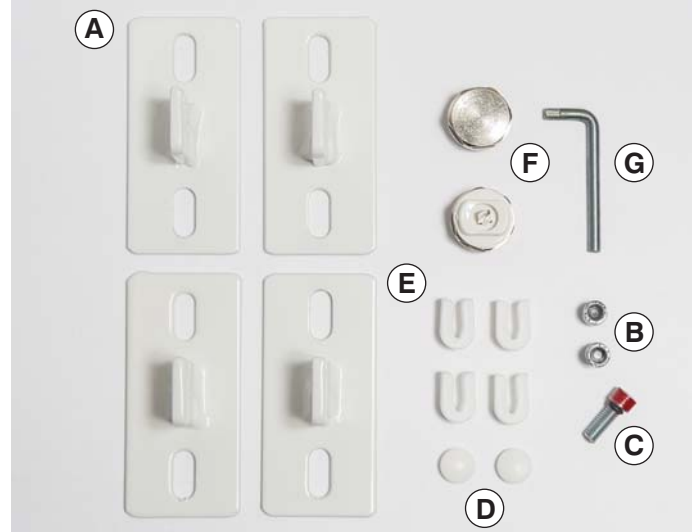
Model	No. of screws required
Plinth KK22	4 (2 on each side)
Plinth KK34	6 (3 on each side)
Horizontal KH11	2 (1 on each side)
Horizontal KH22	4 (2 on each side)
Vertical KS10	2 (both on bottom)
Vertical KS11	2 (both on bottom)

NEW DÉCOR radiators are high performance, universal radiators that come with a choice of connection options;

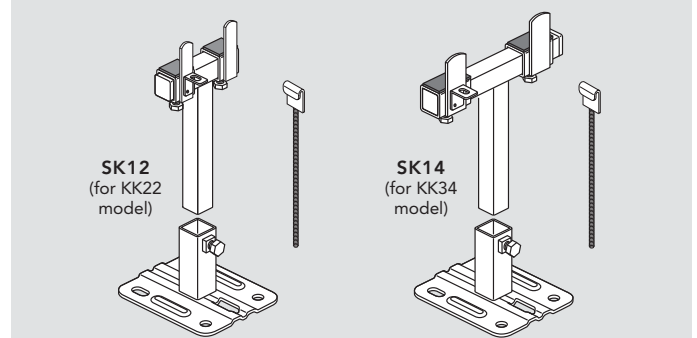
- Top bottom same end (TBSE)
- Top bottom opposite end (TBOE)
- Bottom bottom opposite end (BBOE).

These instructions show you how to correctly install the radiator based on your connection requirements.

Bracket packet kit for horizontal and vertical models.



Bracket packet kit for plinth models.



Stand Console SK12 and SK14, for Finished Floors

consisting of:
2 stand bases (80 mm), 2 stand tops (175 mm), with 4 soundproof supports and 2 integrated connection locking devices, zinc-plated and coated in RAL 9016



Installation

For the correct water flow, the screws must be fitted, and secured, as demonstrated in the diagrams below. The longer, separating screws (with a red end) will direct the water flow through the radiator, while the smaller metal screw plugs will blank off the unused tappings (see Fig 1).

Once the screws are fitted, cover with the decorative screw caps supplied (see Fig 2). The radiator is now ready to be mounted to the wall or floor. Fit the anti vibrate clip to the bracket as shown in Fig 3, and then affix the radiator to the wall using the brackets supplied (measurements can be found in the Universal Instructions found in the packaging).



Fig 1.



Fig 2.



Fig 3. Horizontal & vertical models only

NEW DÉCOR Horizontal and Plinth Flow and Return NEW DÉCOR Vertical Flow and Return

