

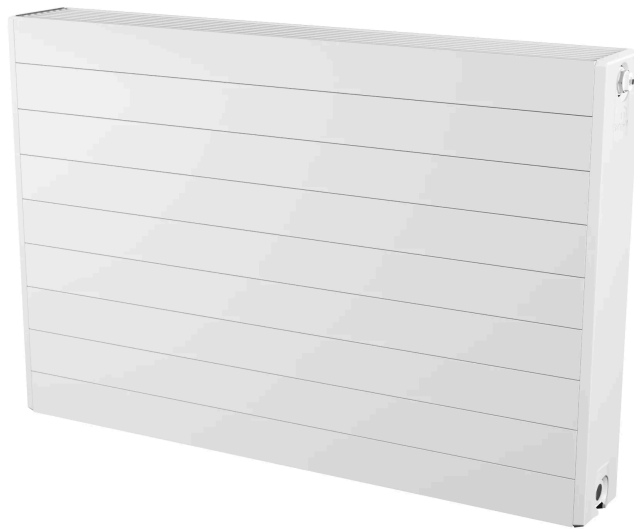


Datu lapa

2026-04-19

Ramo Compact

Universāls paneļu radiators ar dekoratīvu priekšējo plātni.



- ✓ Rafinēts izpildījums
- ✓ Vienmērīga siltuma sadale
- ✓ Dekoratīvā reste un sānu paneļi
- ✓ Piemērots zemas temperatūras sistēmām
- ✓ Bērnu drošs stiprinājums

Ramo Ventil Compact paneļu radiators ar gludu priekšējo plātni un viegliem horizontāliem reljefiem, piemērots ūdens apkures sistēmām, komplektā ar stiprinājumiem, aizbāzni un atgaisošanas vārstu.



Pielietojuma joma

Plan Plus Compact ir tērauda panelradiator 2-cauruļu starpsoļa (pumped) apkures sistēmām. Pieejams vairākās augstuma un garuma konfigurācijās, piemērots nomaīnai esošajās instalācijās. Pieslēgumi: 4 × 1/2" BSP.

Dimensiju noteikšana

Lai nodrošinātu pareizu produktu izvēli, lūdzu, izmantojiet mūsu kalkulatoru rīkus un produktu bukletus. Ja nepieciešama palīdzība, sazinieties ar mūsu pārdošanas komandu.

Lietošana

Iepakojumā atrodas atgaisošanas vārstu un aizbāžņu komplekti; termostatiskos radiatoru vārstus var izmantot telpas temperatūras regulēšanai, un radiators ir aprīkots ar sānu paneļiem un dekoratīvo resti; montāžai pārliecinies, ka sienas stiprinājumi ir pareizi uzstādīti stabilitātes un drošības nodrošināšanai.

AMA teksts

Ramo Compact panelis ar gludu priekšējo plātņi un vieglām horizontālām ielocēm paredzēts ūdens apkures sistēmām. Četri G 1/2" sānu pieslēgumi nodrošina abpusēju montāžu. Atbilst EN442-1 un CE prasībām. Komplektā stiprinājumi, aizbāznis un atgaisošanas vārsts. Standarta pārklājums RAL 9016; citi krāsu varianti pieejami pēc pasūtījuma. Garantija 10 gadi.



Specifikācijas

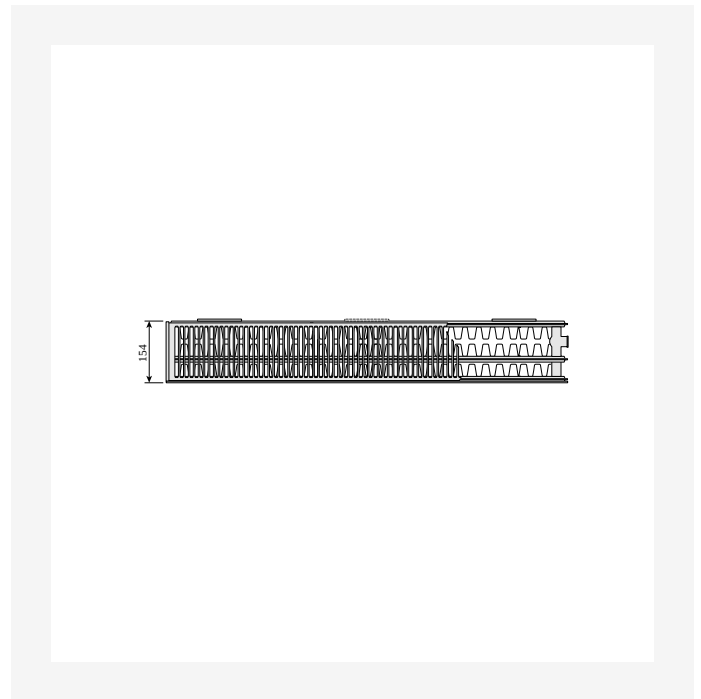
| ĪPAŠĪBAS | VIENĪBA | VĒRTĪBAS |
|---|---------|----------------|
| ETIM klase | | EC011022 |
| Materiāls | | Tērauds |
| Tips | | 11, 21, 22, 33 |
| Virsmas struktūra | | Līdzens gluds |
| Maks. darba spiediens | bar | 10 |
| Standarta pieslēgumu skaits | | 4 |
| Siltuma atdeve pēc EN 442 atzītas laboratorijas | | Jā |
| Standarta krāsa | | Jā |
| Krāsa | | Balts |
| Restes/Vāka plāksne | | Jā |
| Restes/Vāka plāksne | | Jā |
| RAL numurs | | 9016 |
| Spīduma vērtība | | Spīdīgs |
| Vītnes izmērs (collas) | | 1/2 inch |
| Pieslēguma vītne | | Iekšējā vītne |
| Ar vienkārša pieslēgumu | | Jā |
| Ar ventilācijas pieslēgumu | | Jā |
| Ar ventilācijas vārstu/gaisa atgaisotāju | | Jā |
| Ar iztukšošanas iespēju | | Jā |



Resursi



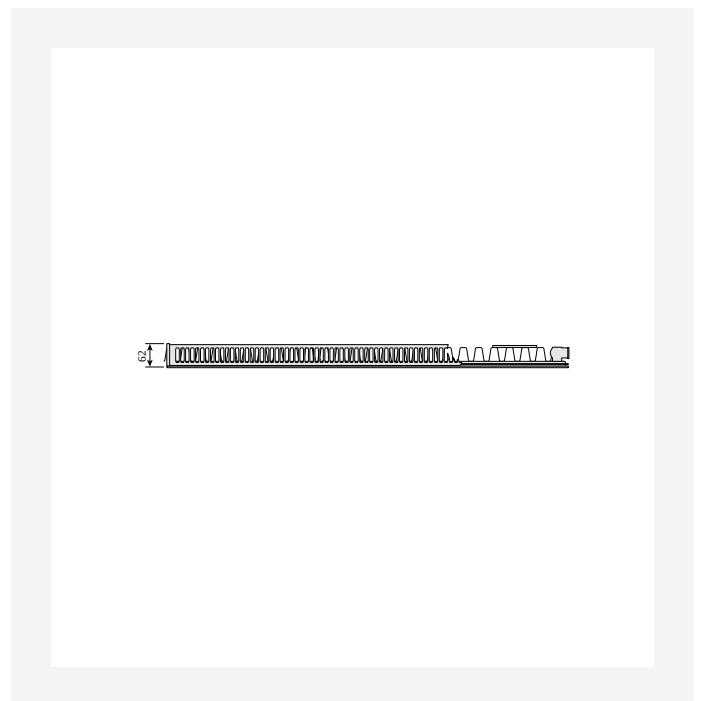
ProductImage - Product Picture



DimensionalDrawing - Ramo Compact, tips 33, skats no augšas



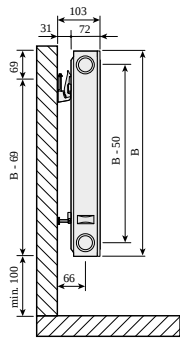
DimensionalDrawing - Ramo Compact, tips 21s, skats no augšas



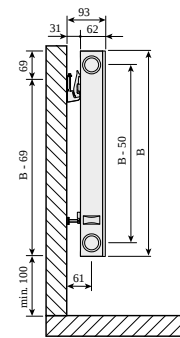
DimensionalDrawing - Ramo Compact, tips 11, skats no augšas



Resursi



DimensionalDrawing - Ramo Compact, tips 21s, skats no sāniem ar SSMS sienas kronšteinu

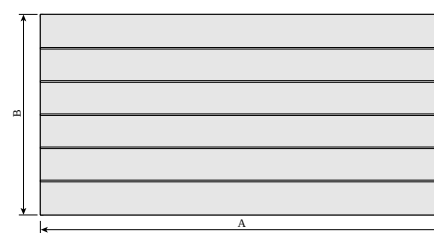


DimensionalDrawing - Ramo Compact, tips 11, skats no sāniem ar SSMS sienas kronšteinu

RAMO COMPACT (mm)

| A | RC11 | | RC21s, RC22, RC33 | |
|----------|------|------|-------------------|------|
| | a1 | a2 | a1 | a2 |
| 400-1600 | 117 | - | 133 | - |
| 1800 | 117 | 917 | 133 | 900 |
| 2000 | 117 | 1017 | 133 | 1000 |
| 2300 | 117 | 1150 | 133 | 1167 |
| 2600 | 117 | 1317 | 133 | 1300 |
| 3000 | 117 | 1517 | 133 | 1500 |

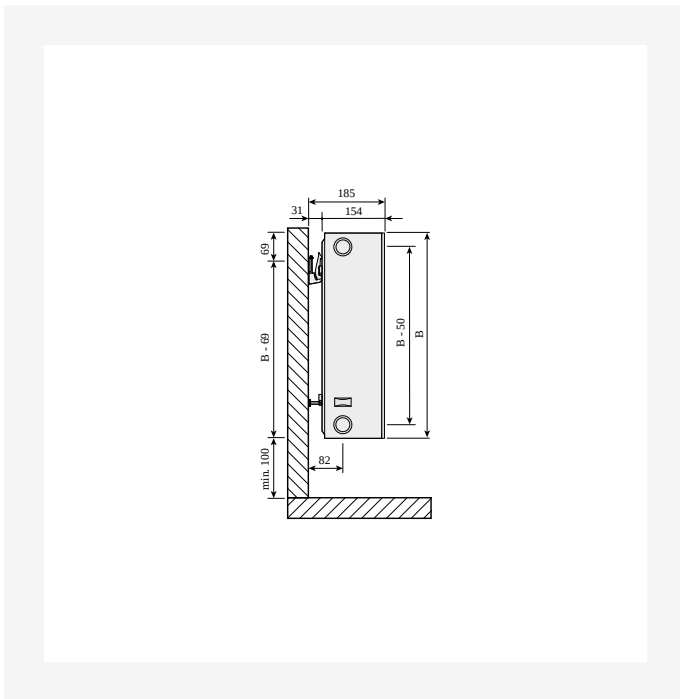
DimensionalDrawing - Ramo Compact, tabulas rasējums A



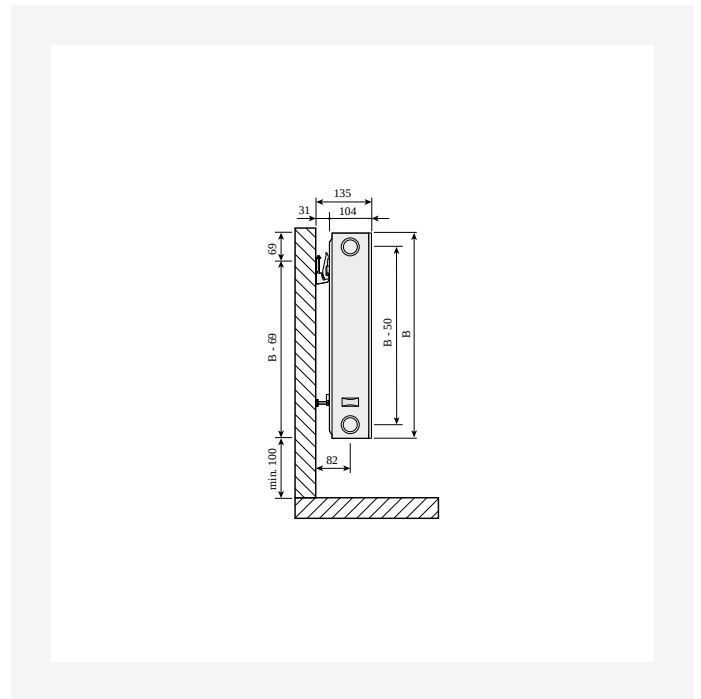
DimensionalDrawing - Ramo Compact, skats no priekšpuses



Resursi



DimensionalDrawing - Plan Compact, Ramo Compact, tips 33, skats no sāniem SSMS



DimensionalDrawing - Plan Compact / Ramo Compact, tips 22, skats no sāniem ar SSMS sienas kronšteinu



300

| AUGSTUMS 300 mm | GARUMS | DZĪLUMS | Jauda (W) 45/35/20°C | Jauda (W) 55/45/20°C | Jauda (W) 60/45/20°C | TILPUMS (l) | N- ekponents | SVARS (kg) |
|--------------------|--------|------------------|-------------------------|-------------------------|-------------------------|----------------|-----------------|---------------|
| Tips 11 | | | | | | | | |
| 600 | 62 | FOI1103006010300 | 95 | 165 | 178 | 1.0 | 1.28 | 7.6 |
| 2000 | 62 | FOI1103020010300 | 318 | 550 | 595 | 3.4 | 1.28 | 22.7 |
| 2600 | 62 | FOI1103026010300 | 413 | 715 | 773 | 4.4 | 1.28 | 29.1 |
| 3000 | 62 | FOI1103030010300 | 477 | 824 | 892 | 5.1 | 1.28 | 33.4 |
| Tips 21 | | | | | | | | |
| 500 | 72 | FOI2103005010300 | 110 | 190 | 206 | 1.7 | 1.28 | 8.8 |
| 1000 | 72 | FOI2103010010300 | 221 | 381 | 412 | 3.4 | 1.28 | 16.5 |
| 1100 | 72 | FOI2103011010300 | 238 | 415 | 449 | 3.7 | 1.30 | 0.0 |
| 1200 | 72 | FOI2103012010300 | 265 | 457 | 495 | 4.1 | 1.28 | 19.5 |
| 1600 | 72 | FOI2103016010300 | 353 | 610 | 660 | 5.4 | 1.28 | 25.7 |
| 3000 | 72 | FOI2103030010300 | 662 | 1143 | 1237 | 10.2 | 1.28 | 47.2 |
| Tips 22 | | | | | | | | |
| 800 | 104 | FOI2203008010300 | 222 | 386 | 418 | 2.7 | 1.30 | 15.4 |
| 900 | 104 | FOI2203009010300 | 249 | 434 | 470 | 3.1 | 1.30 | 16.8 |
| 1000 | 104 | FOI2203010010300 | 277 | 482 | 523 | 3.4 | 1.30 | 18.5 |
| 1200 | 104 | FOI2203012010300 | 332 | 579 | 627 | 4.1 | 1.30 | 21.9 |
| 2000 | 104 | FOI2203020010300 | 554 | 965 | 1045 | 6.8 | 1.30 | 35.6 |
| 2300 | 104 | FOI2203023010300 | 637 | 1109 | 1202 | 7.8 | 1.30 | 4.7 |
| 2600 | 104 | FOI2203026010300 | 720 | 1254 | 1359 | 8.8 | 1.30 | 45.8 |
| Tips 33 | | | | | | | | |
| 500 | 154 | FOI3303005010300 | 191 | 335 | 364 | 2.5 | 1.32 | 13.9 |
| 600 | 154 | FOI3303006010300 | 230 | 403 | 437 | 3.1 | 1.32 | 16.3 |
| 700 | 154 | FOI3303007010300 | 268 | 470 | 509 | 3.6 | 1.32 | 18.7 |



300

| AUGSTUMS 300 mm | GARUMS | DZIĻUMS | Jauda (W) 45/35/20°C | Jauda (W) 55/45/20°C | Jauda (W) 60/45/20°C | TILPUMS (l) | N- ekponents | SVARS (kg) | |
|--------------------|--------|---------|-------------------------|-------------------------|-------------------------|----------------|-----------------|---------------|------|
| | 1100 | 154 | F0I3303011010300 | 421 | 738 | 800 | 5.6 | 1.32 | 28.3 |
| | 1600 | 154 | F0I3303016010300 | 612 | 1073 | 1164 | 8.2 | 1.32 | 4.4 |
| | 2000 | 154 | F0I3303020010300 | 765 | 1342 | 1455 | 10.2 | 1.32 | 5.3 |
| | 2600 | 154 | F0I3303026010300 | 995 | 1744 | 1892 | 13.3 | 1.32 | 64.5 |



400

| AUGSTUMS 400 mm | GARUMS | DZIĻUMS | | Jauda (W) 45/35/20°C | Jauda (W) 55/45/20°C | Jauda (W) 60/45/20°C | TILPUMS (l) | N- ekponents | SVARS (kg) |
|--------------------|--------|---------|------------------|-------------------------|-------------------------|-------------------------|----------------|-----------------|---------------|
| Tips 11 | | | | | | | | | |
| | 400 | 62 | F0I1104004010300 | 82 | 141 | 153 | 0.9 | 1.28 | 71 |
| | 500 | 62 | F0I1104005010300 | 102 | 177 | 191 | 1.1 | 1.28 | 8.5 |
| | 1000 | 62 | F0I1104010010300 | 204 | 353 | 382 | 2.2 | 1.28 | 15.6 |
| | 1800 | 62 | F0I1104018010300 | 368 | 636 | 688 | 4.0 | 1.28 | 27.1 |
| | 3000 | 62 | F0I1104030010300 | 613 | 1060 | 1147 | 6.6 | 1.28 | 44.4 |
| Tips 21 | | | | | | | | | |
| | 600 | 72 | F0I2104006010300 | 167 | 289 | 313 | 2.7 | 1.28 | 13.4 |
| | 700 | 72 | F0I2104007010300 | 195 | 337 | 365 | 3.1 | 1.28 | 15.5 |
| | 900 | 72 | F0I2104009010300 | 251 | 434 | 470 | 4.0 | 1.28 | 19.6 |
| | 1100 | 72 | F0I2104011010300 | 306 | 530 | 574 | 5.0 | 1.28 | 23.7 |
| | 1600 | 72 | F0I2104016010300 | 446 | 771 | 835 | 7.2 | 1.28 | 34.4 |
| | 1800 | 72 | F0I2104018010300 | 501 | 868 | 939 | 8.1 | 1.28 | 38.2 |
| Tips 22 | | | | | | | | | |
| | 600 | 104 | F0I2204006010300 | 211 | 368 | 399 | 2.7 | 1.31 | 15.3 |
| | 1200 | 104 | F0I2204012010300 | 421 | 736 | 798 | 5.4 | 1.31 | 29.7 |
| | 1400 | 104 | F0I2204014010300 | 491 | 859 | 931 | 6.3 | 1.31 | 33.7 |
| | 2000 | 104 | F0I2204020010300 | 702 | 1227 | 1331 | 9.0 | 1.31 | 47.5 |
| | 2300 | 104 | F0I2204023010300 | 807 | 1411 | 1530 | 10.3 | 1.31 | 54.4 |
| Tips 33 | | | | | | | | | |
| | 900 | 154 | F0I3304009010300 | 433 | 761 | 826 | 6.0 | 1.32 | 31.3 |
| | 1000 | 154 | F0I3304010010300 | 481 | 846 | 918 | 6.7 | 1.32 | 34.5 |
| | 1400 | 154 | F0I3304014010300 | 673 | 1184 | 1285 | 9.4 | 1.32 | 47.6 |
| | 1600 | 154 | F0I3304016010300 | 769 | 1353 | 1469 | 10.7 | 1.32 | 54.6 |
| | 2000 | 154 | F0I3304020010300 | 961 | 1692 | 1836 | 13.4 | 1.32 | 67.8 |



400

| AUGSTUMS 400 mm | GARUMS | DZIĻUMS | | Jauda (W) 45/35/20°C | Jauda (W) 55/45/20°C | Jauda (W) 60/45/20°C | TILPUMS (l) | N- ekponents | SVARŠ (kg) |
|--------------------|--------|---------|------------------|-------------------------|-------------------------|-------------------------|----------------|-----------------|---------------|
| | 3000 | 154 | F013304030010300 | 1442 | 2538 | 2754 | 201 | 1.32 | 101.6 |



500

| AUGSTUMS 500 mm | GARUMS | DZIĻUMS | Jauda (W) 45/35/20°C | Jauda (W) 55/45/20°C | Jauda (W) 60/45/20°C | TILPUMS (l) | N- ekponents | SVARS (kg) | |
|--------------------|--------|---------|-------------------------|-------------------------|-------------------------|----------------|-----------------|---------------|------|
| Tips 11 | | | | | | | | | |
| | 400 | 62 | FOI1105004010300 | 99 | 171 | 185 | 1.1 | 1.28 | 8.4 |
| | 500 | 62 | FOI1105005010300 | 124 | 214 | 231 | 1.4 | 1.28 | 1.2 |
| | 1000 | 62 | FOI1105010010300 | 247 | 427 | 463 | 2.7 | 1.28 | 19.4 |
| | 1600 | 62 | FOI1105016010300 | 396 | 684 | 740 | 4.3 | 1.28 | 3.5 |
| | 1800 | 62 | FOI1105018010300 | 445 | 769 | 833 | 4.9 | 1.28 | 34.7 |
| | 2300 | 62 | FOI1105023010300 | 569 | 983 | 1064 | 6.2 | 1.28 | 43.2 |
| Tips 21 | | | | | | | | | |
| | 900 | 72 | FOI2105009010300 | 299 | 518 | 561 | 5.0 | 1.29 | 24.3 |
| | 1000 | 72 | FOI2105010010300 | 332 | 576 | 623 | 5.5 | 1.29 | 26.9 |
| | 1200 | 72 | FOI2105012010300 | 398 | 691 | 748 | 6.6 | 1.29 | 32.0 |
| | 1800 | 72 | FOI2105018010300 | 597 | 1036 | 1122 | 9.9 | 1.29 | 47.3 |
| | 2600 | 72 | FOI2105026010300 | 863 | 1497 | 1621 | 14.3 | 1.29 | 67.7 |
| | 3000 | 72 | FOI2105030010300 | 996 | 1727 | 1870 | 16.5 | 1.29 | 77.9 |
| Tips 22 | | | | | | | | | |
| | 400 | 104 | FOI2205004010300 | 168 | 294 | 319 | 2.2 | 1.32 | 13.2 |
| | 700 | 104 | FOI2205007010300 | 293 | 515 | 559 | 3.9 | 1.32 | 21.8 |
| | 1100 | 104 | FOI2205011010300 | 461 | 809 | 878 | 6.0 | 1.32 | 33.4 |
| | 1200 | 104 | FOI2205012010300 | 503 | 883 | 958 | 6.6 | 1.32 | 36.2 |
| | 1400 | 104 | FOI2205014010300 | 587 | 1030 | 1118 | 7.7 | 1.32 | 42.1 |
| | 2300 | 104 | FOI2205023010300 | 964 | 1692 | 1836 | 12.7 | 1.32 | 68.0 |
| | 2600 | 104 | FOI2205026010300 | 1089 | 1913 | 2076 | 14.3 | 1.32 | 76.6 |
| Tips 33 | | | | | | | | | |
| | 400 | 154 | FOI3305004010300 | 229 | 404 | 438 | 3.3 | 1.33 | 18.5 |
| | 900 | 154 | FOI3305009010300 | 514 | 908 | 986 | 7.4 | 1.33 | 39.0 |



500

| AUGSTUMS 500 mm | GARUMS | DZIĻUMS | | Jauda (W) 45/35/20°C | Jauda (W) 55/45/20°C | Jauda (W) 60/45/20°C | TILPUMS (l) | N- ekponents | SVARS (kg) |
|--------------------|--------|---------|------------------|-------------------------|-------------------------|-------------------------|----------------|-----------------|---------------|
| | 1000 | 154 | F0I3305010010300 | 571 | 1009 | 1096 | 8.2 | 1.33 | 43.1 |
| | 1600 | 154 | F0I3305016010300 | 914 | 1615 | 1753 | 13.1 | 1.33 | 67.7 |
| | 1800 | 154 | F0I3305018010300 | 1029 | 1817 | 1972 | 14.8 | 1.33 | 75.9 |
| | 2000 | 154 | F0I3305020010300 | 1143 | 2018 | 2192 | 16.4 | 1.33 | 84.5 |
| | 3000 | 154 | F0I3305030010300 | 1714 | 3028 | 3287 | 24.6 | 1.33 | 125.7 |



600

| AUGSTUMS 600 mm | GARUMS | DZIĻUMS | | Jauda (W) 45/35/20°C | Jauda (W) 55/45/20°C | Jauda (W) 60/45/20°C | TILPUMS (l) | N- ekponents | SVARS (kg) |
|--------------------|--------|---------|------------------|-------------------------|-------------------------|-------------------------|----------------|-----------------|---------------|
| Tips 11 | | | | | | | | | |
| | 600 | 62 | FOI1106006010300 | 173 | 299 | 324 | 1.9 | 1.28 | 14.5 |
| | 1100 | 62 | FOI1106011010300 | 317 | 549 | 594 | 3.5 | 1.28 | 25.4 |
| | 1200 | 62 | FOI1106012010300 | 346 | 599 | 648 | 3.8 | 1.28 | 27.5 |
| | 1400 | 62 | FOI1106014010300 | 404 | 699 | 756 | 4.5 | 1.28 | 31.9 |
| | 2300 | 62 | FOI1106023010300 | 664 | 1148 | 1242 | 7.4 | 1.28 | 51.3 |
| Tips 21 | | | | | | | | | |
| | 400 | 72 | FOI2106004010300 | 153 | 266 | 288 | 2.6 | 1.30 | 13.8 |
| | 800 | 72 | FOI2106008010300 | 306 | 531 | 576 | 5.3 | 1.30 | 26.2 |
| | 1100 | 72 | FOI2106011010300 | 420 | 731 | 791 | 7.3 | 1.30 | 35.5 |
| | 1200 | 72 | FOI2106012010300 | 458 | 797 | 863 | 7.9 | 1.30 | 38.6 |
| | 1400 | 72 | FOI2106014010300 | 535 | 930 | 1007 | 9.2 | 1.30 | 44.8 |
| | 1800 | 72 | FOI2106018010300 | 687 | 1195 | 1295 | 11.9 | 1.30 | 57.2 |
| | 2000 | 72 | FOI2106020010300 | 764 | 1328 | 1439 | 13.2 | 1.30 | 63.4 |
| | 2300 | 72 | FOI2106023010300 | 878 | 1527 | 1655 | 15.2 | 1.30 | 72.8 |
| | 3000 | 72 | FOI2106030010300 | 1146 | 1992 | 2158 | 19.8 | 1.30 | 94.5 |
| Tips 22 | | | | | | | | | |
| | 400 | 104 | FOI2206004010300 | 193 | 340 | 369 | 2.6 | 1.33 | 16.4 |
| | 600 | 104 | FOI2206006010300 | 289 | 510 | 553 | 4.0 | 1.33 | 23.4 |
| | 900 | 104 | FOI2206009010300 | 434 | 765 | 830 | 5.9 | 1.33 | 33.5 |
| | 2300 | 104 | FOI2206023010300 | 1108 | 1955 | 2122 | 15.2 | 1.33 | 82.2 |
| Tips 33 | | | | | | | | | |
| | 400 | 154 | FOI3306004010300 | 263 | 465 | 506 | 3.9 | 1.34 | 22.4 |
| | 500 | 154 | FOI3306005010300 | 328 | 582 | 632 | 4.9 | 1.34 | 27.3 |
| | 900 | 154 | FOI3306009010300 | 591 | 1047 | 1138 | 8.8 | 1.34 | 47.9 |



600

| AUGSTUMS 600 mm | GARUMS | DZIĻUMS | | Jauda (W) 45/35/20°C | Jauda (W) 55/45/20°C | Jauda (W) 60/45/20°C | TILPUMS (l) | N- ekponents | SVARS (kg) |
|--------------------|--------|---------|------------------|-------------------------|-------------------------|-------------------------|----------------|-----------------|---------------|
| | 2000 | 154 | F013306020010300 | 1313 | 2327 | 2528 | 19.6 | 1.34 | 103.4 |



900

| AUGSTUMS 900 mm | GARUMS | DZIĻUMS | | Jauda (W) 45/35/20°C | Jauda (W) 55/45/20°C | Jauda (W) 60/45/20°C | TILPUMS (l) | N- ekponents | SVARS (kg) |
|--------------------|--------|---------|------------------|-------------------------|-------------------------|-------------------------|----------------|-----------------|---------------|
| Tips 11 | | | | | | | | | |
| | 600 | 62 | FOI1109006010300 | 239 | 416 | 451 | 2.7 | 1.30 | 21.8 |
| | 900 | 62 | FOI1109009010300 | 358 | 624 | 676 | 4.0 | 1.30 | 31.7 |
| | 1000 | 62 | FOI1109010010300 | 398 | 693 | 751 | 4.5 | 1.30 | 35.3 |
| | 1400 | 62 | FOI1109014010300 | 557 | 970 | 1051 | 6.3 | 1.30 | 48.2 |
| | 1600 | 62 | FOI1109016010300 | 636 | 1109 | 1201 | 7.2 | 1.30 | 54.8 |
| Tips 21 | | | | | | | | | |
| | 1000 | 72 | FOI2109010010300 | 504 | 891 | 968 | 9.0 | 1.34 | 47.8 |
| | 1400 | 72 | FOI2109014010300 | 705 | 1248 | 1355 | 12.6 | 1.34 | 66.2 |
| | 1600 | 72 | FOI2109016010300 | 806 | 1426 | 1549 | 14.4 | 1.34 | 75.3 |
| Tips 22 | | | | | | | | | |
| | 600 | 104 | FOI2209006010300 | 390 | 693 | 753 | 5.4 | 1.35 | 33.8 |
| | 900 | 104 | FOI2209009010300 | 585 | 1040 | 1130 | 8.1 | 1.35 | 49.8 |
| | 1000 | 104 | FOI2209010010300 | 650 | 1155 | 1256 | 9.0 | 1.35 | 55.7 |
| | 1200 | 104 | FOI2209012010300 | 780 | 1386 | 1507 | 10.8 | 1.35 | 65.7 |
| | 1800 | 104 | FOI2209018010300 | 1170 | 2080 | 2260 | 16.2 | 1.35 | 97.6 |
| | 2000 | 104 | FOI2209020010300 | 1299 | 2311 | 2511 | 18.0 | 1.35 | 110.3 |
| Tips 33 | | | | | | | | | |
| | 500 | 154 | FOI3309005010300 | 443 | 791 | 860 | 6.7 | 1.36 | 39.6 |
| | 600 | 154 | FOI3309006010300 | 531 | 949 | 1032 | 8.0 | 1.36 | 47.2 |
| | 800 | 154 | FOI3309008010300 | 708 | 1266 | 1377 | 10.6 | 1.36 | 62.2 |
| | 1400 | 154 | FOI3309014010300 | 1239 | 2215 | 2409 | 18.6 | 1.36 | 109.5 |
| | 1800 | 154 | FOI3309018010300 | 1593 | 2848 | 3097 | 23.9 | 1.36 | 137.5 |