



## Data sheet

2026-04-17

# Plan Plus Compact

Myson Plan Plus Compact radiators provide refined heating



- ✓ Refined finish
- ✓ Optimal heat distribution
- ✓ Decorative grille & side panels
- ✓ Suitable for low temperature systems
- ✓ Child-proof attachment

The Myson Plan range offers a contemporary alternative to the traditional panel radiator with its minimalist feel, good looks and leading performance. Myson **Plan Plus Compact** has a decorative front panel and features side panels and top grille. Type 11, Type 21 and Type 22 profiles are available, with Type 21 & 22 also available as vertical models.



### Area of application

Plan Plus Compact is ideal for contemporary alternative to panel radiators, made of steel. It is suitable for 2 pipe pumped indirect domestic and commercial heating applications, with extensive types, lengths, and heights for easy replacements. Connections: 4 x 1/2" BSP.

### Sizing

Use a Heat Loss Calculator to determine the required heat output from the Plan Plus Compact range. Available in Type 11, Type 21, and Type 22.

### Usage

Air vent and plug packs are included in the packaging. Thermostatic Radiator Valves can be installed to control

room temperature. The radiator is fitted with pre-assembled side panels and a decorative grille. Ensure wall brackets are properly mounted for optimal stability and safety.

### AMA Text

The Myson Plan Plus Compact radiator features a sleek flat steel plate, side panels, and a decorative top grille. Suitable for 2 pipe pumped indirect domestic and commercial heating applications, with Type 11, 21, and 22 profiles; Type 21 & 22 also available as vertical models. Connections: 4 x 1/2" BSP. Thermostatic Radiator Valves can be fitted for room temperature control. Specifications include working pressure up to 10 bar and maximum operating temperature of 100°C. Available in various heights and lengths.



# Specifications

PROPERTIES	UNIT	VALUES
ETIM Class		EC011022
Material		Steel
Type		11, 21, 22, 33
Surface structure		Flat smooth
Max working pressure	EU570056	10
Number of standard connections		4
Heat output according to recognized EN 442 laboratory		Yes
Standard color		Yes
Color		White
Grill/Cover plate		Yes
Grill/Cover plate		Yes
RAL number		9016
Gloss value		Glossy
Thread dimension (inch)		1/2 inch
Thread connection		Internal thread
With single-point connection		Yes
With air vent connection		Yes
With air valve/vent		Yes
With drain option		Yes



# Documents

DOCUMENTS	DOCUMENT TYPE	LINK
Myson Complete Solutions - Full Brochure	Brochure	<a href="https://asset.productmarketingcloud.com/api/assetstorage/3577_8031f314-369f-4cf3-af0a-a9fc03976b1b">https://asset.productmarketingcloud.com/api/assetstorage/3577_8031f314-369f-4cf3-af0a-a9fc03976b1b</a>
Myson Premium Panel & Designer Radiators	Brochure	<a href="https://asset.productmarketingcloud.com/api/assetstorage/3577_7699fab-51e3-4ceb-9b37-139ffed451d7">https://asset.productmarketingcloud.com/api/assetstorage/3577_7699fab-51e3-4ceb-9b37-139ffed451d7</a>
Product Warranty	Warranty	<a href="https://asset.productmarketingcloud.com/api/assetstorage/3577_ee6ba5d6-3073-4ac1-8de0-f0c719a2c4ab">https://asset.productmarketingcloud.com/api/assetstorage/3577_ee6ba5d6-3073-4ac1-8de0-f0c719a2c4ab</a>
Installation Instruction Compact Purmo	TechDia	<a href="https://asset.productmarketingcloud.com/api/assetstorage/3577_2da398bb-5820-4a58-af2d-62333aa4e65e">https://asset.productmarketingcloud.com/api/assetstorage/3577_2da398bb-5820-4a58-af2d-62333aa4e65e</a>



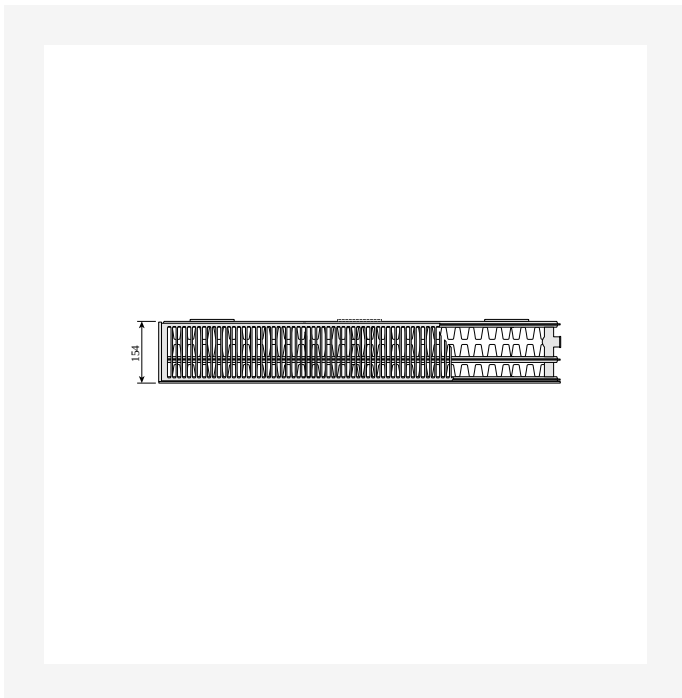
# Resources



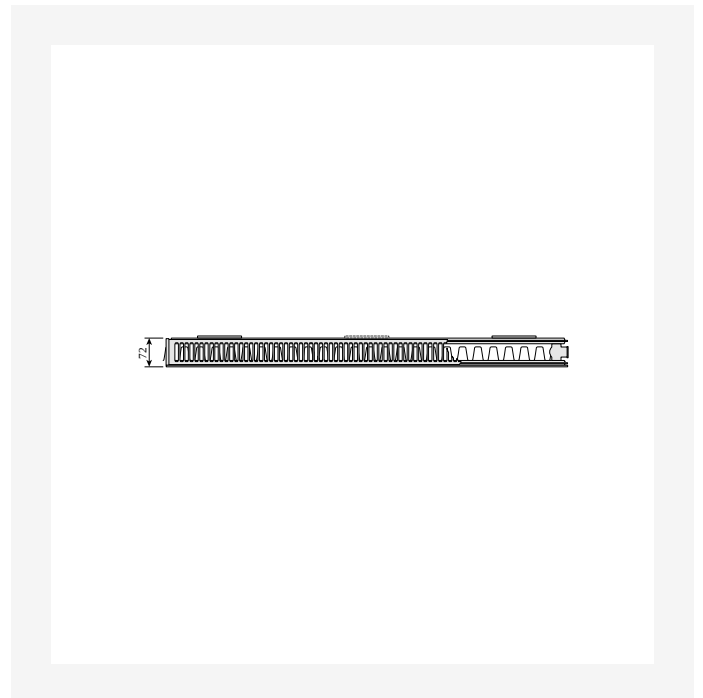
ProductImage - Product Picture



ProductImage - Panel radiator Ramo Compact with flat front panel and slight horizontal ribbing.



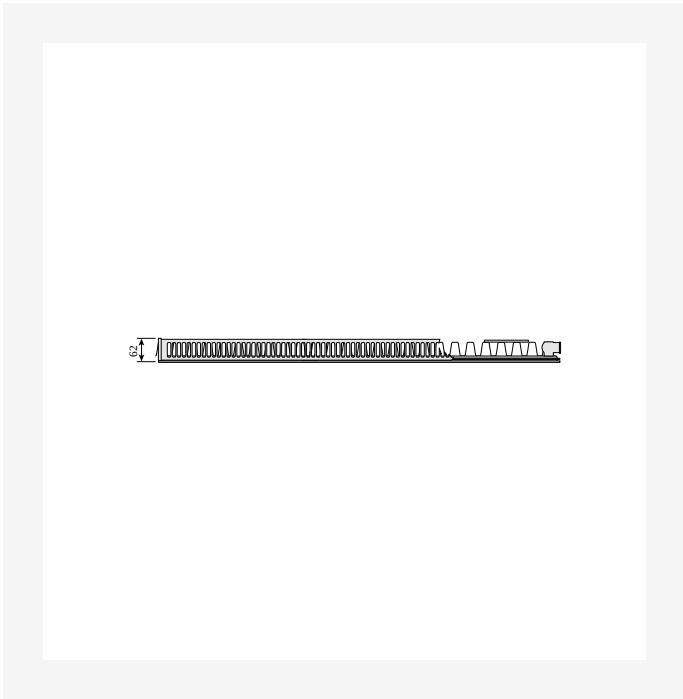
DimensionalDrawing - Dimensional drawing



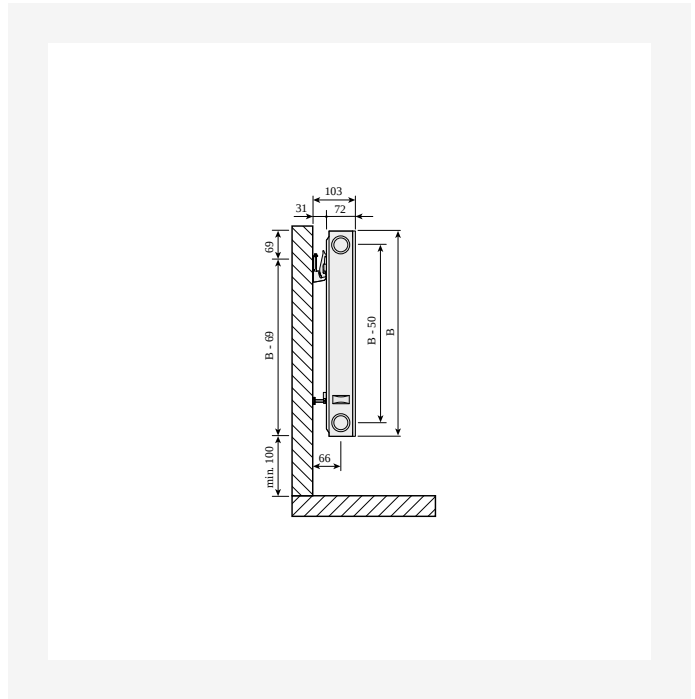
DimensionalDrawing - Dimensional drawing



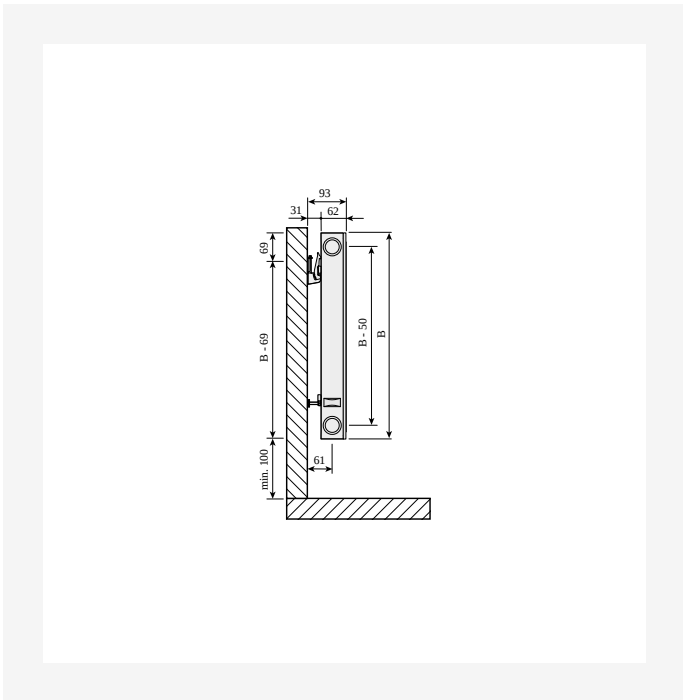
# Resources



DimensionalDrawing - Dimensional drawing



DimensionalDrawing - Dimensional drawing



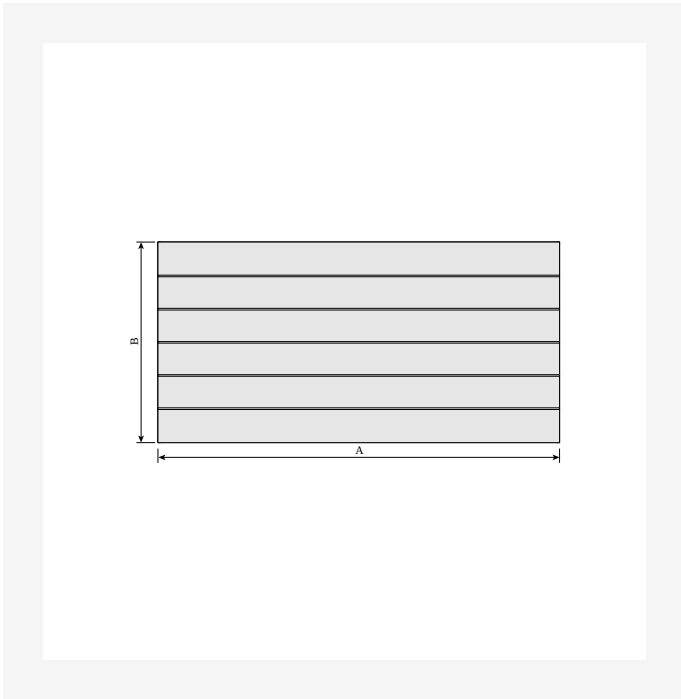
DimensionalDrawing - Dimensional drawing

RAMO COMPACT (mm)				
	RC11		RC21s, RC22, RC33	
A	a1	a2	a1	a2
400-1600	117	-	133	-
1800	117	917	133	900
2000	117	1017	133	1000
2300	117	1150	133	1167
2600	117	1317	133	1300
3000	117	1517	133	1500

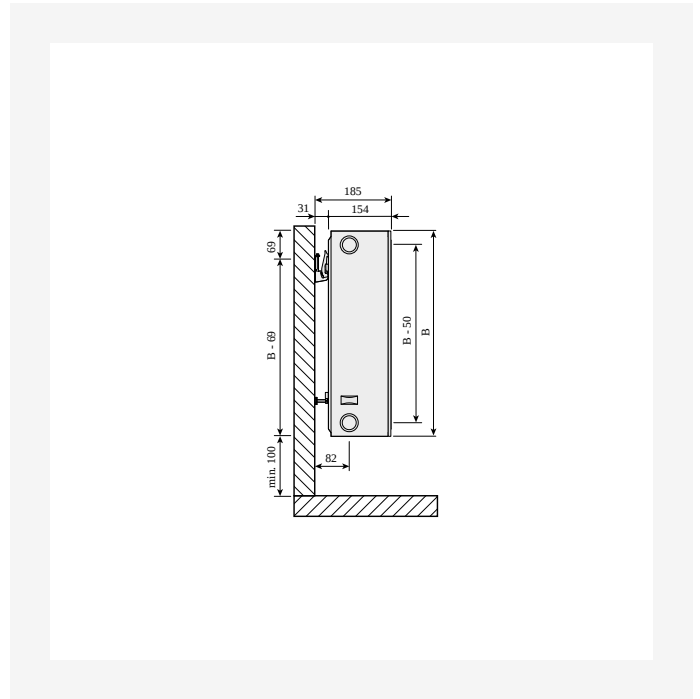
DimensionalDrawing - Ramo-Compact-table drawings a



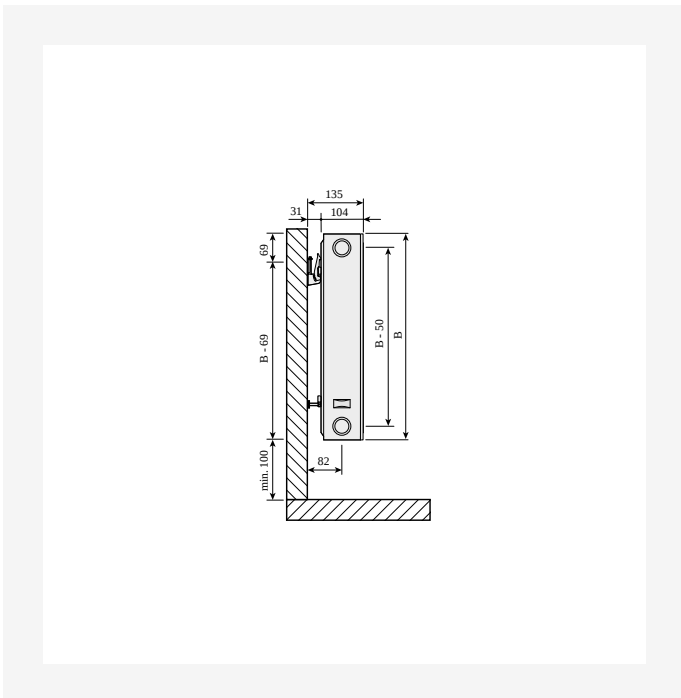
# Resources



Dimensional Drawing - Ramo Compact front view



Dimensional Drawing - Plan Compact, Ramo Compact type 33, SV SSMS



Dimensional Drawing - Plan Compact, Ramo Compact type 22, side view with SSMS wall brackets.



# 300

HEIGHT 300 mm	LENGTH	DEPTH	ITEM NO	(Btu/H) 55/45/20°C	(Btu/H) 75/65/20°C	VOLUME (l)	N-EXPONENT	WEIGHT (kg)
<b>Type 11</b>								
600	63		30PPS60G	563	1082	1.0	1.28	7.5
1000	63		30PPS100G	938	1805	2.0	1.28	11.8
1400	63		30PPS140G	1314	2528	2.0	1.28	15.9
2000	63		30PPS200G	1877	3610	3.0	1.28	22.2
<b>Type 22</b>								
600	104		30PPD60G	986	1918	2.0	1.30	11.5
1000	104		30PPD100G	1648	3197	3.0	1.30	18.1
1400	104		30PPD140G	2303	4477	4.0	1.30	24.8
2000	104		30PPD200G	3293	6394	6.0	1.30	34.9
<b>Type 33</b>								
400	154		F0I3303004010300	914	1795	2.0	1.32	11.5



# 400

HEIGHT 400 mm	LENGTH	DEPTH	ITEM NO	(Btu/H) 55/45/20°C	(Btu/H) 75/65/20°C	VOLUME (l)	N-EXPONENT	WEIGHT (kg)
<b>Type 11</b>								
400	63		40PPS40G	481	928	1.0	1.28	6.9
600	62		F0I1104006010300	723	1392	1.3	1.28	10.1
600	63		40PPS60G	723	1392	1.0	1.28	10.1
800	63		40PPS80G	966	1856	2.0	1.28	12.5
1000	63		40PPS100G	1204	2320	2.0	1.28	15.3
1200	63		40PPS120G	1447	2784	3.0	1.28	18.1
1400	63		40PPS140G	1686	3248	3.0	1.28	3.0
1600	63		40PPS160G	1928	3712	4.0	1.28	23.8
1800	63		40PPS180G	2170	4176	4.0	1.28	26.7
2000	63		40PPS200G	2409	4640	4.0	1.28	29.4
<b>Type 21</b>								
400	72		F0I2104004010300	659	1269	1.8	1.28	9.3
<b>Type 22</b>								
400	104		40PPD40G	836	1634	2.0	1.31	1.5
600	104		40PPD60G	1256	2453	3.0	1.31	15.2
800	104		40PPD80G	1675	3269	3.0	1.31	19.5
1000	104		40PPD100G	2095	4088	4.0	1.31	24.2
1200	104		40PPD120G	2511	4906	5.0	1.31	28.5
1400	104		40PPD140G	2931	5722	6.0	1.31	33.4
1600	104		40PPD160G	3351	6541	7.0	1.31	37.5
1800	104		40PPD180G	3767	7356	8.0	1.31	42.5
2000	104		40PPD200G	4187	8175	8.0	1.31	46.5



# 500

HEIGHT 500 mm	LENGTH	DEPTH	ITEM NO	(Btu/H) 55/45/20°C	(Btu/H) 75/65/20°C	VOLUME (l)	N-EXPONENT	WEIGHT (kg)
<b>Type 11</b>								
400	63		50PPS40G	583	1123	1.0	1.28	8.2
600	63		50PPS60G	873	1686	2.0	1.28	11.8
800	63		50PPS80G	1167	2245	2.0	1.28	15.4
1000	63		50PPS100G	1457	2808	3.0	1.28	19.2
1200	63		50PPS120G	1750	3371	3.0	1.28	22.6
1400	63		50PPS140G	2040	3931	4.0	1.28	26.2
1600	63		50PPS160G	2334	4494	5.0	1.28	29.8
1800	63		50PPS180G	2624	5053	5.0	1.28	33.4
2000	62		F0I1105020010300	2917	5616	5.4	1.28	37.7
2000	63		50PPS200G	2917	5616	6.0	1.28	37.8
<b>Type 22</b>								
400	104		50PPD40G	1003	1972	2.0	1.32	12.9
600	104		50PPD60G	1508	2955	3.0	1.32	18.6
800	104		50PPD80G	2010	3941	4.0	1.32	24.2
1000	104		50PPD100G	2511	4927	5.0	1.32	29.9
1200	104		50PPD120G	3013	5913	6.0	1.32	35.5
1400	104		50PPD140G	3514	6899	7.0	1.32	41.2
1600	104		50PPD160G	4016	7882	8.0	1.32	46.8
1800	104		50PPD180G	4521	8868	9.0	1.32	52.6
2000	104		50PPD200G	5022	9854	10.0	1.32	58.2



# 600

HEIGHT 600 mm	LENGTH	DEPTH	ITEM NO (LEFT)	ITEM NO (RIGHT)	(Btu/H) 55/45/20°C	(Btu/H) 75/65/20°C	VOLUME (l)	N- EXPONENT	WEIGHT (kg)
<b>Type 11</b>									
	400	63	60PPS40G		682	1310	1.0	1.28	11
	600	63	60PPS60G		1020	1969	2.0	1.28	14.3
	800	63	60PPS80G		1361	2624	3.0	1.28	18.5
	1000	63	60PPS100G		1703	3279	3.0	1.28	22.7
	1200	63	60PPS120G		2044	3934	4.0	1.28	27.0
	1400	63	60PPS140G		2385	4589	5.0	1.28	31.2
	1600	63	60PPS160G		2723	5248	5.0	1.28	35.5
	1800	63	60PPS180G		3064	5903	6.0	1.28	39.7
	2000	63	60PPS200G		3405	6558	7.0	1.28	44.0
	2300	63	60PPS230G		3917	7541	8.0	1.28	5.3
	2600	62	FOI1106026010300		4425	8527	8.3	1.28	57.8
	2600	63	60PPS260G		4425	8527	9.0	1.28	56.7
	3000	63	60PPS300G		5108	9837	10.0	1.28	65.2
<b>Type 21</b>									
	400	72	60PPX40G		908	1757	2.0	1.30	13.6
	600	72	60PPX60G		1358	2637	4.0	1.30	19.6
	800	72	60PPX80G		1812	3514	5.0	1.30	25.7
	1000	72	60PPX100G		2266	4395	6.0	1.30	31.8
	1200	72	60PPX120G		2719	5275	7.0	1.30	37.9
	1400	72	60PPX140G		3173	6152	9.0	1.30	44.0
	1600	72	60PPX160G		3627	7032	10.0	1.30	5.5
	1800	72	60PPX180G		4077	7909	11.0	1.30	56.1
	2000	72	60PPX200G		4531	8789	12.0	1.30	62.3
<b>Type 22</b>									



# 600

HEIGHT 600 mm	LENGTH	DEPTH	ITEM NO (LEFT)	ITEM NO (RIGHT)	(Btu/H) 55/45/20°C	(Btu/H) 75/65/20°C	VOLUME (l)	N- EXPONENT	WEIGHT (kg)
	400	104		60PPD40G	1160	2286	2.0	1.33	15.8
	600	104		60PPD60G	1740	3432	4.0	1.33	22.6
	800	104	F0I2206008010300	60PPD80G	2320	4575	5.3	1.33	30.0
	1000	104		60PPD100G	2900	5719	6.0	1.33	36.2
	1200	104		60PPD120G	3480	6862	7.0	1.33	43.8
	1400	104		60PPD140G	4060	8005	9.0	1.33	50.0
	1600	104		60PPD160G	4640	9151	10.0	1.33	56.7
	1800	104		60PPD180G	5220	10294	11.0	1.33	63.6
	2000	104		60PPD200G	5800	11437	12.0	1.33	74.0
	2300	104		60PPD230G	6670	13153	14.0	1.33	86.0
	2600	104		60PPD260G	7541	14869	16.0	1.33	99.0
	3000	104	F0I2206030010300	60PPD300G	8697	17156	19.8	1.33	108.7