



Datu lapa

2026-05-23

Hygiene (H)

Radiatoris telpām ar paaugstinātām higiēnas prasībām.



- ✓ Viegli tīrāms
- ✓ Augsta izturība
- ✓ Higiēnisks dizains
- ✓ Siltuma efektivitāte
- ✓ Daudzpusīgas montāžas iespējas

Purmo Hygiene ir higiēniskais paneļu radiators bez sānu un augšējām restēm; paredzēts telpām ar paaugstinātām sanitārajām prasībām, viegli tīrāms, standarta krāsojums RAL 9016, komplektā aizbāznis un atgaisošanas vārsts, 10 gadu garantija.



Pielietojuma joma

Higiēnas radiators — piemērots slimnīcām, laboratorijām, klīnikām. Pulverkrāsojums, izturība līdz 10 bar, noturība pret augstām temperatūrām.

Dimensiju noteikšana

Lai nodrošinātu pareizu produktu izvēli, lūdzu, izmantojiet mūsu kalkulatoru rīkus un produktu bukletus. Ja nepieciešama palīdzība, sazinieties ar mūsu pārdošanas komandu.

Lietošana

Uzstādi Purmo Hygiene paneļu radiatorus, nodrošinot atstarpi tīrīšanai un gaisa cirkulācijai, pieslēdzot tos ar

četriem sānu G 1/2 savienojumiem un regulāri tīrot ar apstiprinātiem dezinfekcijas līdzekļiem, ievērojot visus drošības noteikumus un izmantojot konkrētajam modelim paredzētos stiprinājumus.

AMA teksts

Purmo Hygiene panelis paredzēts telpām ar augstām higiēnas prasībām. Izgatavots no auksti velmēta tērauda ar epoksīda pārklājumu. Atbilst EN 442-1 un iztur spiedienu līdz 10 bar un temperatūru līdz 110°C. Bez konvektoriem, sānu paneļiem un augšējās restes, kas ļauj viegli tīrīt virsmas un novērš putekļu uzkrāšanos. Pieejams vairākos izmēros un veidos (H10, H20, H30), ar elastīgu montāžu un dažādām pieslēguma iespējām. Piemērots slimnīcām, klīnikām, laboratorijām un aprūpes iestādēm.

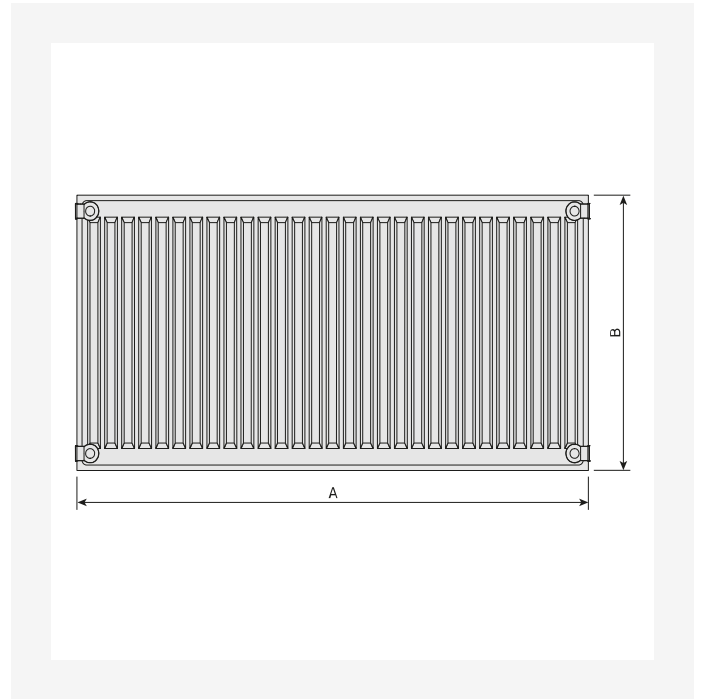


Specifikācijas

| ĪPAŠĪBAS | VIENĪBA | VĒRTĪBAS |
|---|---------|---------------|
| ETIM klase | | EC011022 |
| Materiāls | | Tērauds |
| Tips | | 10, 20, 30 |
| Virsmas struktūra | | Profilēts |
| Maks. darba spiediens | bar | 10 |
| Standarta pieslēgumu skaits | | 4 |
| Siltuma atdeve pēc EN 442 atzītas laboratorijas | | Jā |
| Maksimālā darbības temperatūra | °C | 110 |
| Standarta krāsa | | Jā |
| Krāsa | | Balts |
| RAL numurs | | 9016 |
| Restes/Vāka plāksne | | Jā |
| Restes/Vāka plāksne | | Jā |
| Spīduma vērtība | | Spīdīgs |
| Vītnes izmērs (collas) | | 1/2 inch |
| Pieslēguma vītne | | lekšējā vītne |
| Ar vienpunkta pieslēgumu | | Jā |
| Ar ventilācijas pieslēgumu | | Jā |
| Ar ventilācijas vārstu/gaisa atgaisotāju | | Jā |
| Ar iztukšošanas iespēju | | Jā |

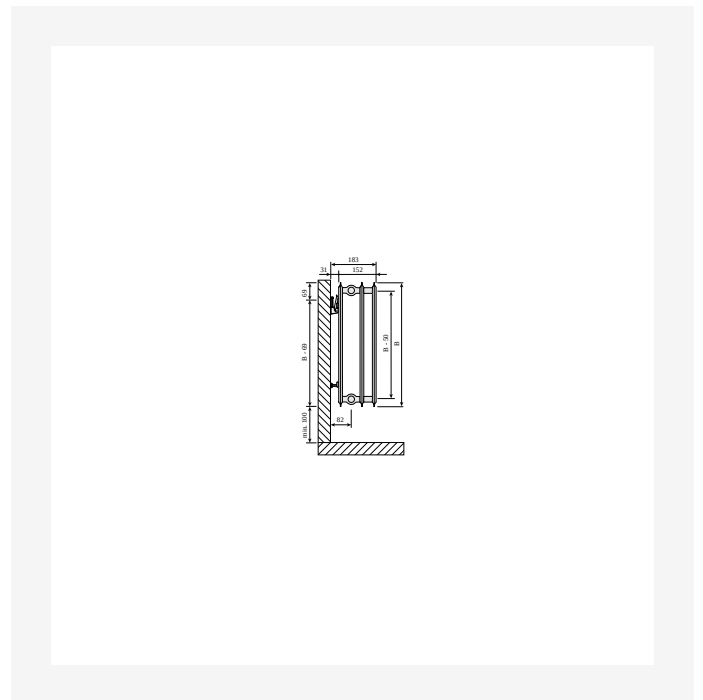
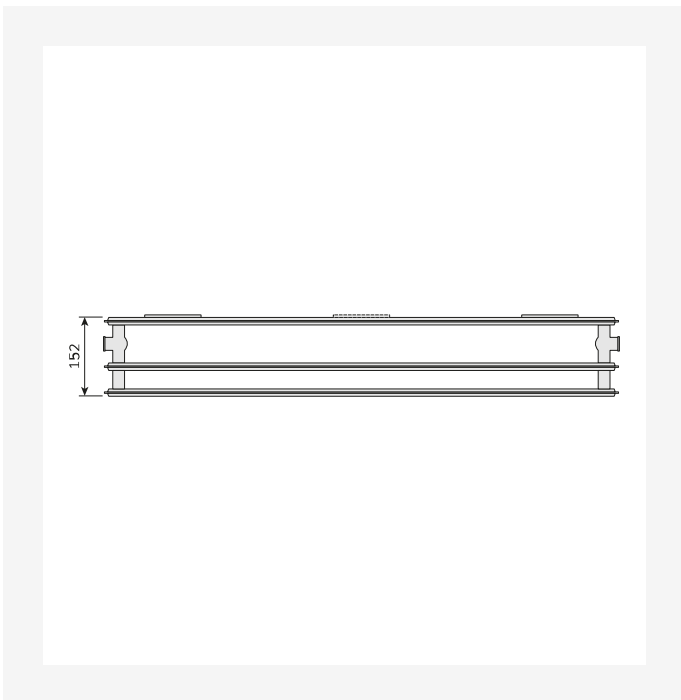


Resursi



ProductImage - Panel radiator Purmo Hygiene, H.

DimensionalDrawing - Hygiene, tips 10, skats no aizmugures

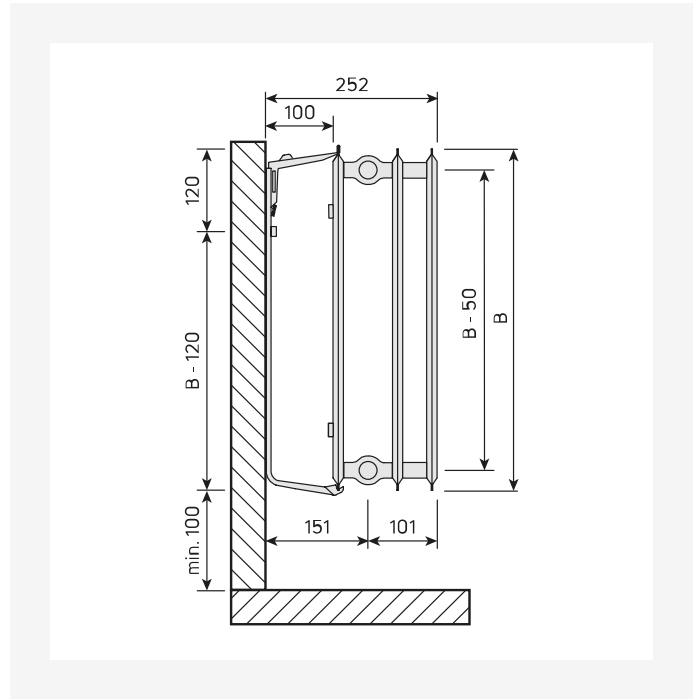
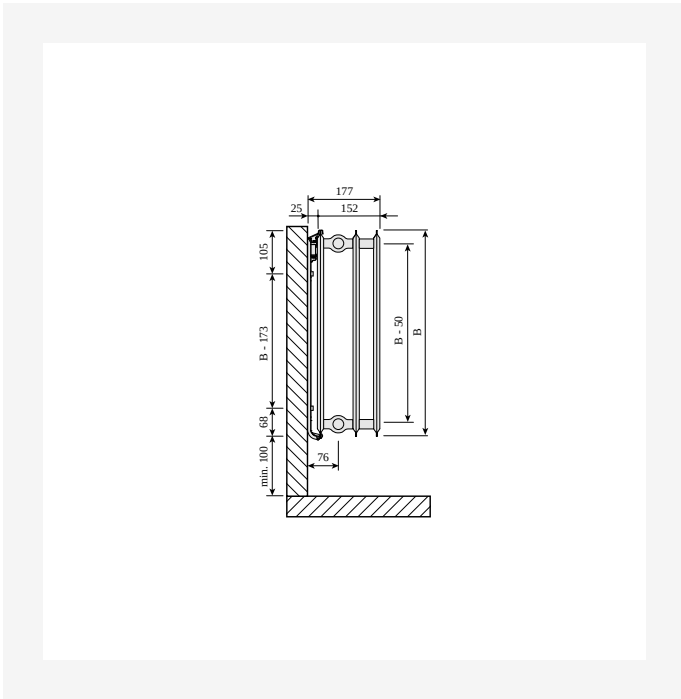


DimensionalDrawing - Hygiene, tips 30, skats no augšas

DimensionalDrawing - Drawing PR Hygiene T30 SV SSMS

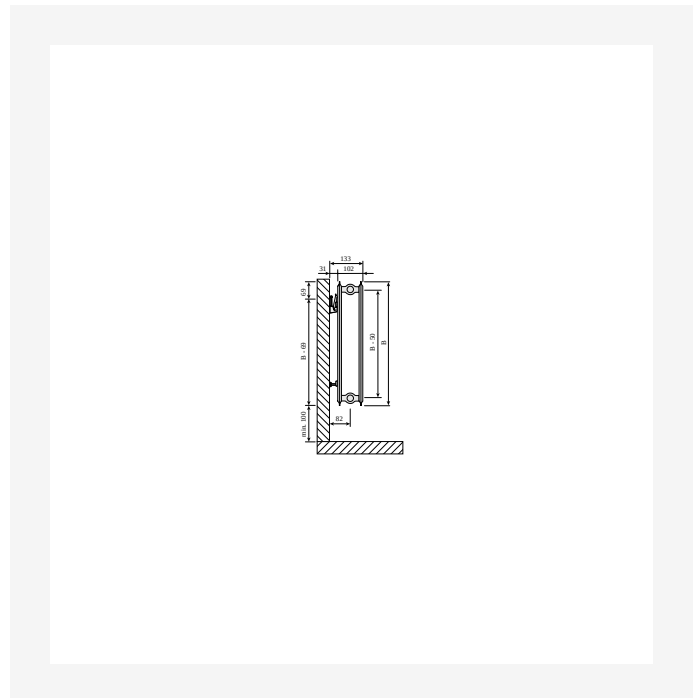
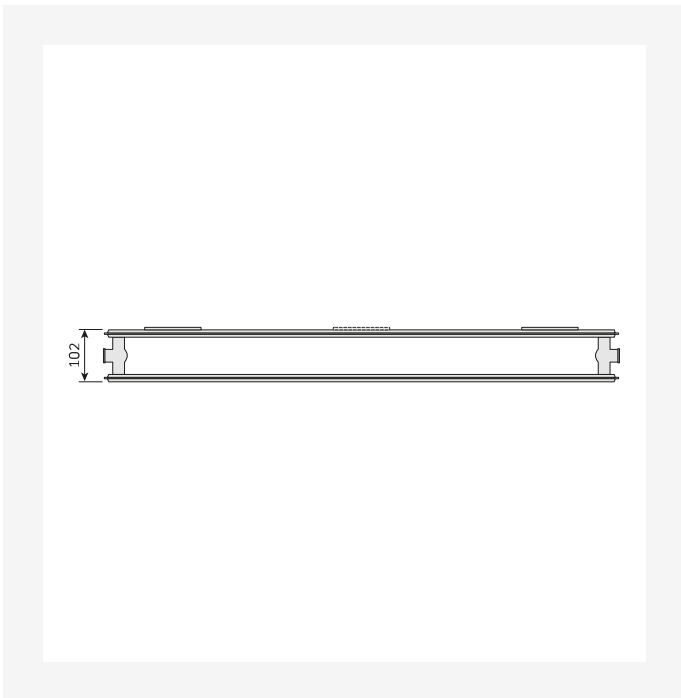


Resursi



DimensionalDrawing - Hygiene, tips 30, skats no sāniem ar Monclac sienas kronšteiniem

DimensionalDrawing - Hygiene, tips 30, skats no sāniem

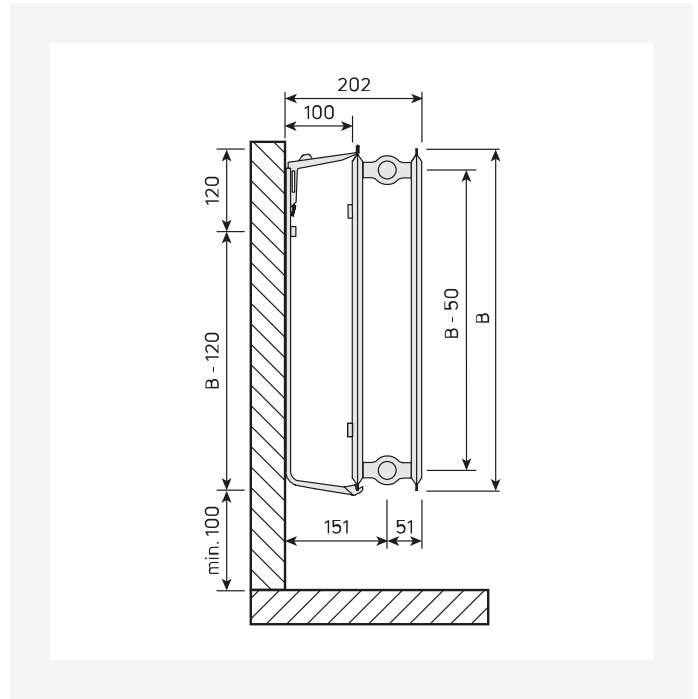
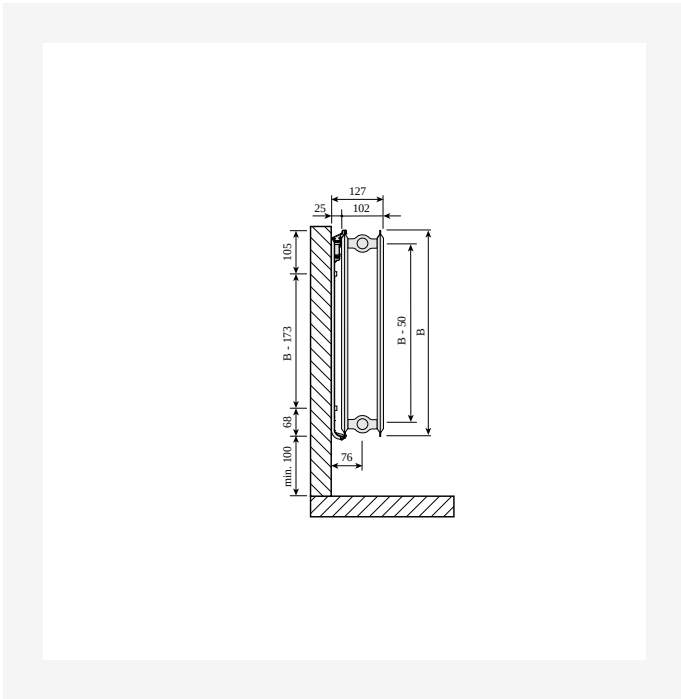


DimensionalDrawing - Hygiene, tips 20, skats no augšas

DimensionalDrawing - Drawing PR Hygiene T20 SV SSMS

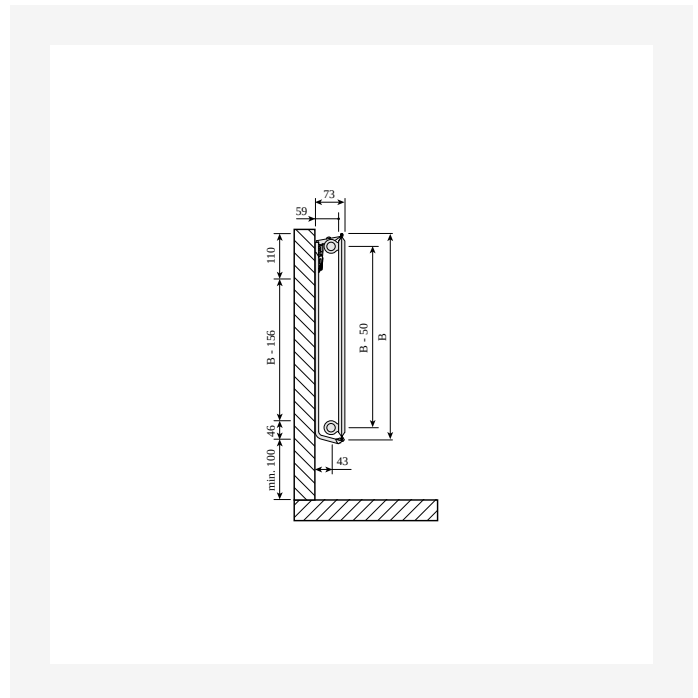
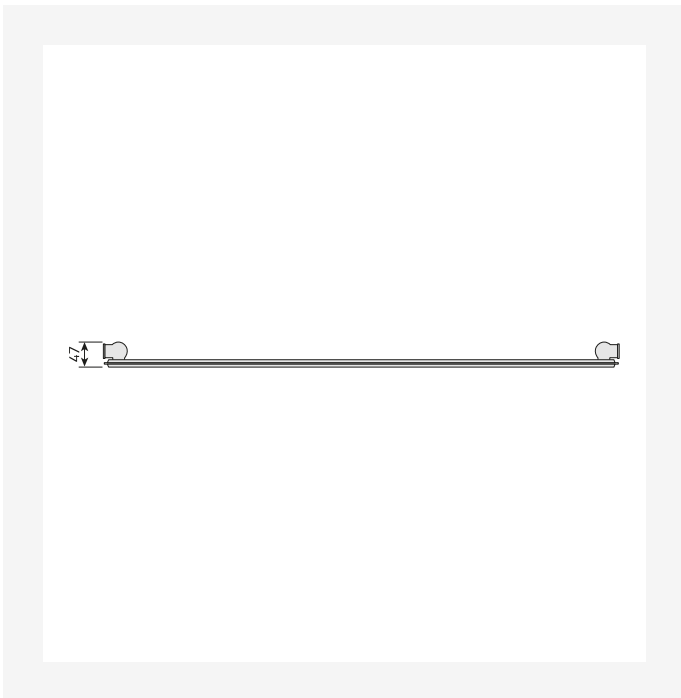


Resursi



DimensionalDrawing - Hygiene, tips 20, skats no sāniem ar Monclac sienas kronšteiniem

DimensionalDrawing - Hygiene, tips 20, skats no sāniem

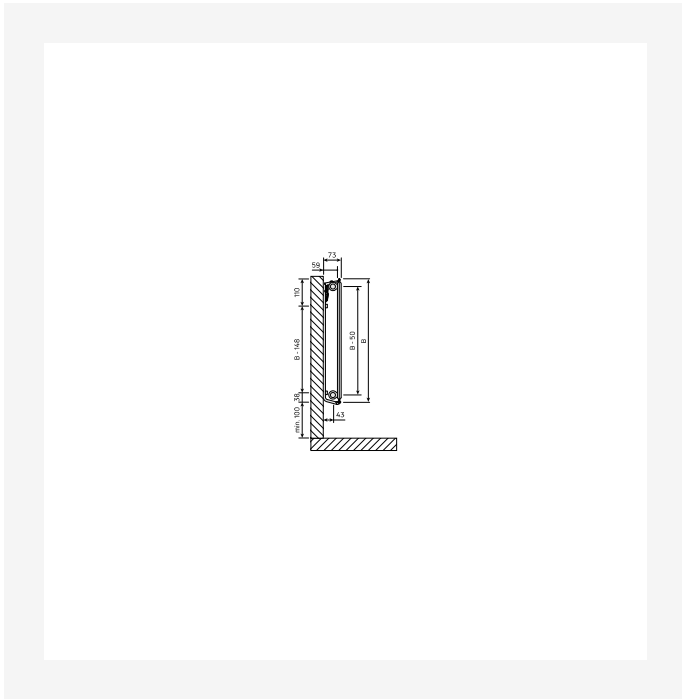


DimensionalDrawing - Hygiene, tips 10, skats no augšas

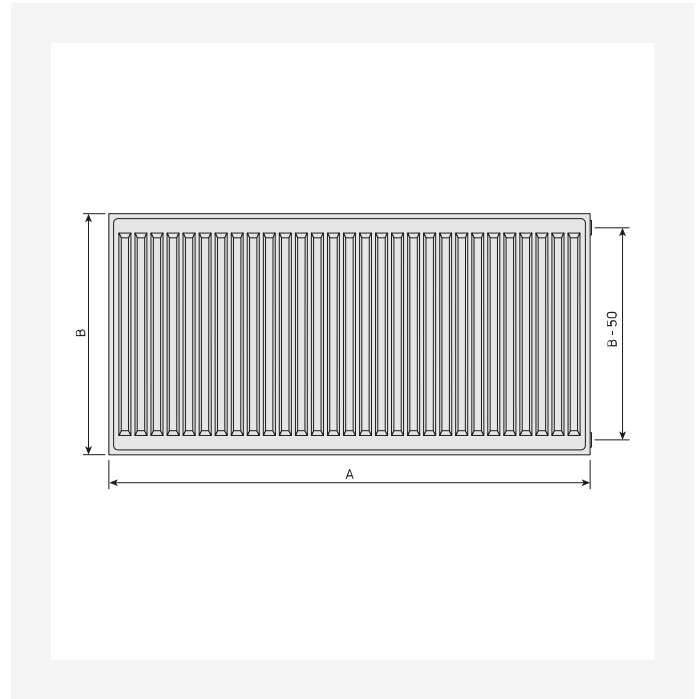
DimensionalDrawing - Hygiene, tips 10, skats no sāniem ar Monclac sienas kronšteiniem



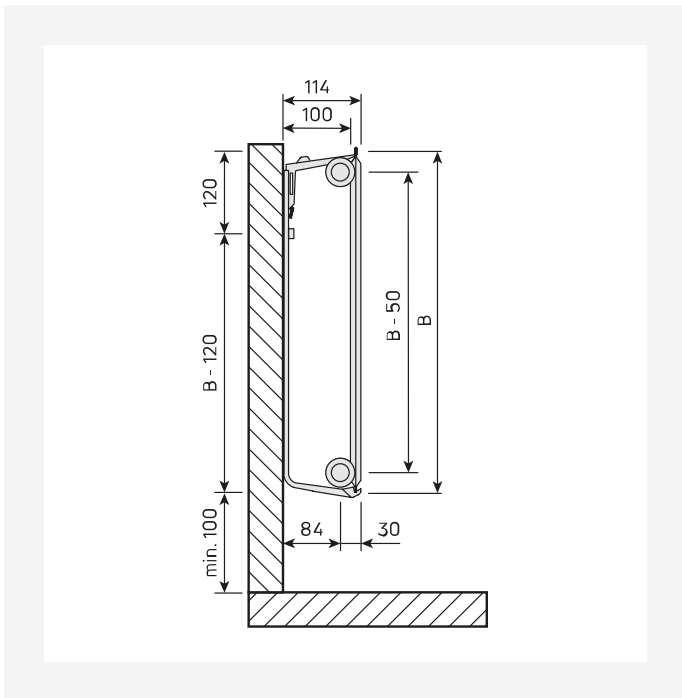
Resursi



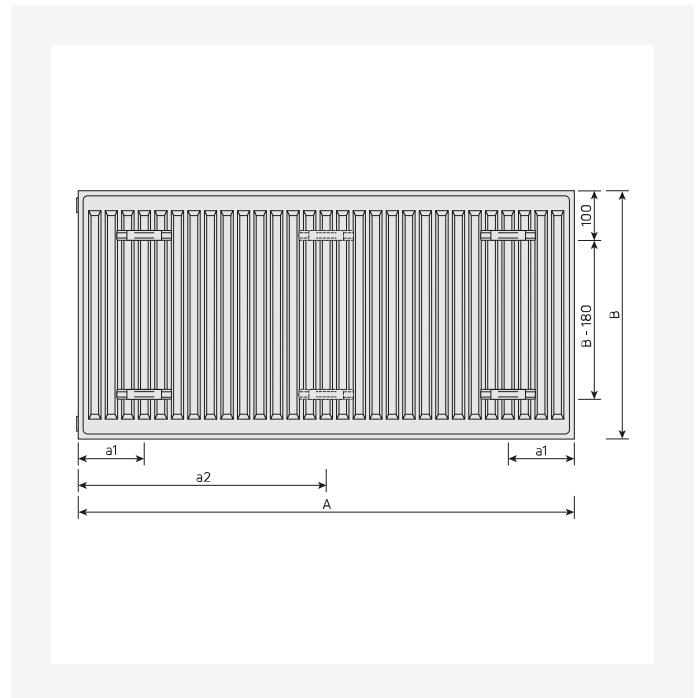
DimensionalDrawing - Hygiene, tips 10, skats no sāniem, MCK



DimensionalDrawing - Hygiene, skats no priekšpuses



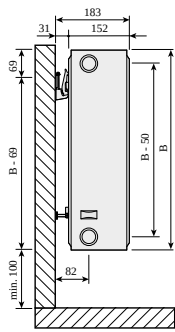
DimensionalDrawing - Hygiene, tips 10, skats no sāniem



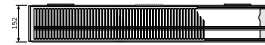
DimensionalDrawing - Hygiene, skats no aizmugures



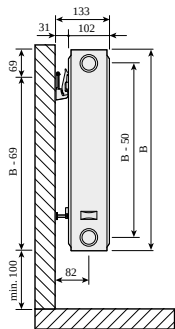
Resursi



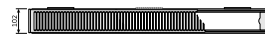
DimensionalDrawing - Compact, tips 33, skats no sāniem ar SSMS sienas kronšteinu



DimensionalDrawing - Hygiene Plan Compact, tips 30, skats no augšas



DimensionalDrawing - Compact, tips 22, skats no sāniem ar SSMS sienas kronšteinu



DimensionalDrawing - Hygiene Compact, tips 20, skats no augšas



Saistītie produkti



Gaisa ventilis un aklā
aizbāžņa komplekts



Remonta krāsa



Sienas kronšteins Monclac



Gaisa ventilēšanas atslēga



300

| AUGSTUMS 300 mm | GARUMS DZIĻUMS | | Jauda (W) 45/35/20°C | Jauda (W) 55/45/20°C | Jauda (W) 60/45/20°C | TILPUMS (l) | N- ekponents | SVARS (kg) | |
|--------------------|----------------|-----|-------------------------|-------------------------|-------------------------|----------------|-----------------|---------------|------|
| Tips 10 | | | | | | | | | |
| | 700 | 47 | F061003007001300 | 69 | 123 | 134 | 1.2 | 1.34 | 4.3 |
| | 1000 | 47 | F061003010001300 | 99 | 175 | 190 | 1.7 | 1.34 | 6.2 |
| | 1100 | 47 | F061003011001300 | 109 | 193 | 210 | 1.9 | 1.34 | 6.7 |
| | 1400 | 47 | F061003014001300 | 138 | 245 | 267 | 2.4 | 1.34 | 8.3 |
| | 1800 | 47 | F061003018001300 | 178 | 316 | 343 | 3.1 | 1.34 | 10.5 |
| | 2000 | 47 | F061003020001300 | 198 | 351 | 381 | 3.4 | 1.34 | 11.5 |
| Tips 20 | | | | | | | | | |
| | 400 | 102 | F062003004000300 | 76 | 131 | 142 | 1.4 | 1.28 | 4.9 |
| | 700 | 102 | F062003007000300 | 133 | 229 | 248 | 2.4 | 1.28 | 8.2 |
| | 800 | 102 | F062003008000300 | 152 | 262 | 284 | 2.7 | 1.28 | 9.1 |
| | 1600 | 102 | F062003016000300 | 303 | 524 | 567 | 5.4 | 1.28 | 17.5 |
| | 2300 | 102 | F062003023000300 | 436 | 753 | 815 | 7.8 | 1.28 | 24.8 |
| Tips 30 | | | | | | | | | |
| | 400 | 152 | F063003004000300 | 104 | 180 | 196 | 2.0 | 1.30 | 6.5 |
| | 500 | 152 | F063003005000300 | 130 | 225 | 244 | 2.5 | 1.30 | 8.2 |
| | 700 | 152 | F063003007000300 | 182 | 316 | 342 | 3.6 | 1.30 | 11.3 |
| | 1800 | 152 | F063003018000300 | 467 | 812 | 879 | 9.2 | 1.30 | 28.4 |
| | 2000 | 152 | F063003020000300 | 519 | 902 | 977 | 10.2 | 1.30 | 31.6 |



400

| AUGSTUMS 400 mm | GARUMS DZIĻUMS | | | Jauda (W) 45/35/20°C | Jauda (W) 55/45/20°C | Jauda (W) 60/45/20°C | TILPUMS (l) | N- ekponents | SVARS (kg) |
|--------------------|----------------|-----|------------------|-------------------------|-------------------------|-------------------------|----------------|-----------------|---------------|
| Tips 10 | | | | | | | | | |
| | 700 | 47 | F061004007001300 | 91 | 160 | 173 | 1.5 | 1.33 | 5.5 |
| | 1200 | 47 | F061004012001300 | 156 | 274 | 297 | 2.6 | 1.33 | 9.2 |
| | 1400 | 47 | F061004014001300 | 181 | 319 | 347 | 3.1 | 1.33 | 10.6 |
| | 2300 | 47 | F061004023001300 | 298 | 525 | 570 | 5.1 | 1.33 | 16.8 |
| | 3000 | 47 | F061004030001300 | 389 | 684 | 743 | 6.6 | 1.33 | 21.7 |
| Tips 20 | | | | | | | | | |
| | 400 | 102 | F062004004000300 | 95 | 163 | 177 | 1.8 | 1.28 | 6.1 |
| | 700 | 102 | F062004007000300 | 165 | 286 | 310 | 3.1 | 1.28 | 1.2 |
| | 800 | 102 | F062004008000300 | 189 | 327 | 354 | 3.6 | 1.28 | 11.6 |
| | 1800 | 102 | F062004018000300 | 425 | 735 | 796 | 8.1 | 1.28 | 25.4 |
| | 2300 | 102 | F062004023000300 | 543 | 940 | 1017 | 10.3 | 1.28 | 32.2 |
| | 2600 | 102 | F062004026000300 | 614 | 1062 | 1150 | 11.7 | 1.28 | 36.4 |
| | 3000 | 102 | F062004030000300 | 709 | 1226 | 1327 | 13.5 | 1.28 | 41.9 |
| Tips 30 | | | | | | | | | |
| | 700 | 152 | F063004007000300 | 227 | 396 | 429 | 4.7 | 1.30 | 14.5 |
| | 900 | 152 | F063004009000300 | 292 | 509 | 551 | 6.0 | 1.30 | 18.6 |
| | 1200 | 152 | F063004012000300 | 389 | 678 | 735 | 8.0 | 1.30 | 24.8 |
| | 1600 | 152 | F063004016000300 | 519 | 904 | 980 | 10.7 | 1.30 | 33.7 |
| | 2300 | 152 | F063004023000300 | 746 | 1300 | 1408 | 15.4 | 1.30 | 47.5 |



450

| AUGSTUMS 450 mm | GARUMS DZIĻUMS | | Jauda (W) 45/35/20°C | Jauda (W) 55/45/20°C | Jauda (W) 60/45/20°C | TILPUMS (l) | N- ekponents | SVARS (kg) | |
|--------------------|----------------|-----|-------------------------|-------------------------|-------------------------|----------------|-----------------|---------------|------|
| Tips 10 | | | | | | | | | |
| | 600 | 47 | F061004506001300 | 87 | 152 | 166 | 1.5 | 1.32 | 5.6 |
| | 700 | 47 | F061004507001300 | 101 | 178 | 193 | 1.8 | 1.32 | 6.6 |
| | 1000 | 47 | F061004510001300 | 145 | 254 | 276 | 2.5 | 1.32 | 9.4 |
| | 1100 | 47 | F061004511001300 | 159 | 280 | 303 | 2.8 | 1.32 | 10.2 |
| | 1200 | 47 | F061004512001300 | 174 | 305 | 331 | 3.0 | 1.32 | 11.0 |
| | 1600 | 47 | F061004516001300 | 232 | 407 | 441 | 4.0 | 1.32 | 14.4 |
| | 2000 | 47 | F061004520001300 | 290 | 508 | 551 | 5.0 | 1.32 | 17.8 |
| Tips 20 | | | | | | | | | |
| | 800 | 102 | F062004508000300 | 207 | 358 | 388 | 4.0 | 1.28 | 13.9 |
| | 900 | 102 | F062004509000300 | 233 | 403 | 436 | 4.5 | 1.28 | 15.5 |
| | 1200 | 102 | F062004512000300 | 311 | 537 | 582 | 6.0 | 1.28 | 2.6 |
| Tips 30 | | | | | | | | | |
| | 400 | 152 | F063004504000300 | 142 | 248 | 269 | 3.0 | 1.30 | 10.1 |
| | 800 | 152 | F063004508000300 | 284 | 496 | 537 | 6.0 | 1.30 | 19.9 |
| | 900 | 152 | F063004509000300 | 320 | 557 | 604 | 6.8 | 1.30 | 22.4 |
| | 1000 | 152 | F063004510000300 | 355 | 619 | 671 | 7.5 | 1.30 | 24.9 |
| | 1100 | 152 | F063004511000300 | 391 | 681 | 738 | 8.3 | 1.30 | 27.4 |
| | 1600 | 152 | F063004516000300 | 568 | 991 | 1074 | 12.0 | 1.30 | 39.9 |
| | 2000 | 152 | F063004520000300 | 711 | 1239 | 1343 | 15.0 | 1.30 | 49.9 |
| | 2300 | 152 | F063004523000300 | 817 | 1425 | 1544 | 17.3 | 1.30 | 57.4 |



500

| AUGSTUMS 500 mm | GARUMS | DZIĻUMS | Jauda (W) 45/35/20°C | Jauda (W) 55/45/20°C | Jauda (W) 60/45/20°C | TILPUMS (l) | N- ekponents | SVARS (kg) |
|--------------------|--------|------------------|-------------------------|-------------------------|-------------------------|----------------|-----------------|---------------|
| Tips 10 | | | | | | | | |
| 500 | 47 | F061005005001300 | 80 | 140 | 152 | 1.4 | 1.31 | 4.8 |
| 1000 | 47 | F061005010001300 | 160 | 280 | 303 | 2.7 | 1.31 | 9.5 |
| 1100 | 47 | F061005011001300 | 176 | 308 | 334 | 3.0 | 1.31 | 10.4 |
| 2600 | 47 | F061005026001300 | 416 | 728 | 789 | 7.0 | 1.31 | 23.8 |
| Tips 20 | | | | | | | | |
| 400 | 102 | F062005004000300 | 112 | 195 | 211 | 2.2 | 1.29 | 7.4 |
| 600 | 102 | F062005006000300 | 169 | 292 | 316 | 3.3 | 1.29 | 1.8 |
| 800 | 102 | F062005008000300 | 225 | 389 | 421 | 4.4 | 1.29 | 14.2 |
| 1100 | 102 | F062005011000300 | 309 | 535 | 579 | 6.0 | 1.29 | 19.4 |
| 1400 | 102 | F062005014000300 | 393 | 681 | 737 | 7.7 | 1.29 | 24.5 |
| 1600 | 102 | F062005016000300 | 450 | 778 | 843 | 8.8 | 1.29 | 27.9 |
| 1800 | 102 | F062005018000300 | 506 | 876 | 948 | 9.9 | 1.29 | 31.4 |
| 2000 | 102 | F062005020000300 | 562 | 973 | 1053 | 11.0 | 1.29 | 34.7 |
| 2600 | 102 | F062005026000300 | 731 | 1265 | 1369 | 14.3 | 1.29 | 45.0 |
| 3000 | 102 | F062005030000300 | 843 | 1459 | 1580 | 16.5 | 1.29 | 51.8 |
| Tips 30 | | | | | | | | |
| 400 | 152 | F063005004000300 | 154 | 269 | 292 | 3.3 | 1.31 | 10.0 |
| 500 | 152 | F063005005000300 | 193 | 336 | 365 | 4.1 | 1.31 | 12.4 |
| 600 | 152 | F063005006000300 | 231 | 403 | 437 | 4.9 | 1.31 | 15.0 |
| 700 | 152 | F063005007000300 | 269 | 470 | 510 | 5.7 | 1.31 | 17.5 |
| 1100 | 152 | F063005011000300 | 424 | 739 | 801 | 9.0 | 1.31 | 27.8 |
| 2600 | 152 | F063005026000300 | 1001 | 1747 | 1894 | 21.3 | 1.31 | 66.2 |
| 3000 | 152 | F063005030000300 | 1155 | 2016 | 2185 | 24.6 | 1.31 | 76.5 |



550

| AUGSTUMS 550 mm | GARUMS DZIĻUMS | | Jauda (W) 45/35/20°C | Jauda (W) 55/45/20°C | Jauda (W) 60/45/20°C | TILPUMS (l) | N- ekponents | SVARS (kg) |
|--------------------|----------------|------------------|-------------------------|-------------------------|-------------------------|----------------|-----------------|---------------|
| Tips 10 | | | | | | | | |
| 500 | 47 | F061005505001300 | 88 | 153 | 165 | 1.5 | 1.30 | 5.3 |
| 800 | 47 | F061005508001300 | 140 | 244 | 265 | 2.4 | 1.30 | 8.6 |
| 1200 | 47 | F061005512001300 | 210 | 366 | 397 | 3.6 | 1.30 | 12.6 |
| 1400 | 47 | F061005514001300 | 245 | 427 | 463 | 4.2 | 1.30 | 14.6 |
| 2000 | 47 | F061005520001300 | 351 | 610 | 661 | 6.0 | 1.30 | 20.4 |
| 2600 | 47 | F061005526001300 | 456 | 794 | 860 | 7.8 | 1.30 | 26.2 |
| 3000 | 47 | F061005530001300 | 526 | 916 | 992 | 9.0 | 1.30 | 28.5 |
| Tips 20 | | | | | | | | |
| 400 | 102 | F062005504000300 | 121 | 210 | 227 | 2.4 | 1.29 | 8.2 |
| 700 | 102 | F062005507000300 | 212 | 367 | 397 | 4.3 | 1.29 | 14.3 |
| 800 | 102 | F062005508000300 | 242 | 420 | 454 | 4.9 | 1.29 | 16.4 |
| 1000 | 102 | F062005510000300 | 303 | 525 | 568 | 6.1 | 1.29 | 2.6 |
| 1400 | 102 | F062005514000300 | 424 | 734 | 795 | 8.5 | 1.29 | 28.6 |
| 1800 | 102 | F062005518000300 | 545 | 944 | 1022 | 11.0 | 1.29 | 36.7 |
| 2000 | 102 | F062005520000300 | 606 | 1049 | 1136 | 12.2 | 1.29 | 4.7 |
| 2600 | 102 | F062005526000300 | 788 | 1364 | 1476 | 15.9 | 1.29 | 52.8 |
| Tips 30 | | | | | | | | |
| 400 | 152 | F063005504000300 | 166 | 289 | 314 | 3.6 | 1.31 | 1.7 |
| 600 | 152 | F063005506000300 | 248 | 434 | 470 | 5.4 | 1.31 | 16.5 |
| 700 | 152 | F063005507000300 | 290 | 506 | 549 | 6.3 | 1.31 | 19.5 |
| 1000 | 152 | F063005510000300 | 414 | 723 | 784 | 9.0 | 1.31 | 28.3 |
| 1200 | 152 | F063005512000300 | 497 | 868 | 941 | 10.8 | 1.31 | 34.1 |
| 1400 | 152 | F063005514000300 | 579 | 1012 | 1097 | 12.6 | 1.31 | 40.0 |
| 1600 | 152 | F063005516000300 | 662 | 1157 | 1254 | 14.4 | 1.31 | 45.8 |
| 3000 | 152 | F063005530000300 | 1242 | 2169 | 2351 | 27.0 | 1.31 | 86.9 |



600

| AUGSTUMS 600 mm | GARUMS DZIĻUMS | | Jauda (W) 45/35/20°C | Jauda (W) 55/45/20°C | Jauda (W) 60/45/20°C | TILPUMS (l) | N- ekponents | SVARS (kg) | |
|--------------------|----------------|-----|-------------------------|-------------------------|-------------------------|----------------|-----------------|---------------|------|
| Tips 10 | | | | | | | | | |
| | 400 | 47 | F061006004001300 | 76 | 132 | 143 | 1.3 | 1.29 | 4.6 |
| | 700 | 47 | F061006007001300 | 133 | 231 | 250 | 2.2 | 1.29 | 8.1 |
| | 1000 | 47 | F061006010001300 | 190 | 330 | 358 | 3.2 | 1.29 | 11.6 |
| | 1200 | 47 | F061006012001300 | 228 | 396 | 429 | 3.8 | 1.29 | 13.7 |
| | 2000 | 47 | F061006020001300 | 381 | 661 | 716 | 6.4 | 1.29 | 22.1 |
| | 2600 | 47 | F061006026001300 | 495 | 859 | 930 | 8.3 | 1.29 | 28.5 |
| Tips 20 | | | | | | | | | |
| | 500 | 102 | F062006005000300 | 162 | 281 | 305 | 3.3 | 1.29 | 11.3 |
| | 800 | 102 | F062006008000300 | 260 | 450 | 487 | 5.3 | 1.29 | 17.6 |
| | 1800 | 102 | F062006018000300 | 584 | 1012 | 1096 | 11.9 | 1.29 | 38.6 |
| | 2000 | 102 | F062006020000300 | 649 | 1124 | 1217 | 13.2 | 1.29 | 42.8 |
| | 3000 | 102 | F062006030000300 | 973 | 1686 | 1826 | 19.8 | 1.29 | 63.8 |
| Tips 30 | | | | | | | | | |
| | 500 | 152 | F063006005000300 | 221 | 387 | 419 | 4.9 | 1.31 | 15.2 |
| | 1100 | 152 | F063006011000300 | 486 | 851 | 923 | 10.8 | 1.31 | 34.7 |
| | 1400 | 152 | F063006014000300 | 619 | 1083 | 1174 | 13.7 | 1.31 | 43.5 |
| | 1600 | 152 | F063006016000300 | 707 | 1237 | 1342 | 15.7 | 1.31 | 49.8 |
| | 2000 | 152 | F063006020000300 | 884 | 1547 | 1677 | 19.6 | 1.31 | 62.3 |
| | 2600 | 152 | F063006026000300 | 1150 | 2011 | 2180 | 25.5 | 1.31 | 81.2 |
| | 3000 | 152 | F063006030000300 | 1327 | 2320 | 2516 | 29.4 | 1.31 | 93.7 |



900

| AUGSTUMS 900 mm | GARUMS | DZIĻUMS | Jauda (W) 45/35/20°C | Jauda (W) 55/45/20°C | Jauda (W) 60/45/20°C | TILPUMS (l) | N- ekponents | SVARS (kg) | |
|--------------------|--------|---------|-------------------------|-------------------------|-------------------------|----------------|-----------------|---------------|-------|
| Tips 10 | | | | | | | | | |
| | 500 | 47 | F061009005001300 | 134 | 233 | 252 | 2.3 | 1.30 | 8.4 |
| | 600 | 47 | F061009006001300 | 160 | 279 | 303 | 2.7 | 1.30 | 10.1 |
| | 700 | 47 | F061009007001300 | 187 | 326 | 353 | 3.1 | 1.30 | 11.8 |
| | 1000 | 47 | F061009010001300 | 267 | 465 | 504 | 4.5 | 1.30 | 16.9 |
| | 1600 | 47 | F061009016001300 | 428 | 744 | 807 | 7.2 | 1.30 | 26.3 |
| | 1800 | 47 | F061009018001300 | 481 | 837 | 907 | 8.1 | 1.30 | 29.4 |
| Tips 20 | | | | | | | | | |
| | 500 | 102 | F062009005000300 | 223 | 389 | 422 | 4.5 | 1.30 | 15.5 |
| | 800 | 102 | F062009008000300 | 357 | 623 | 675 | 7.2 | 1.30 | 24.8 |
| | 1000 | 102 | F062009010000300 | 446 | 779 | 844 | 9.0 | 1.30 | 31.7 |
| | 1100 | 102 | F062009011000300 | 491 | 857 | 928 | 9.9 | 1.30 | 34.2 |
| | 1400 | 102 | F062009014000300 | 625 | 1090 | 1182 | 12.6 | 1.30 | 43.5 |
| | 1600 | 102 | F062009016000300 | 714 | 1246 | 1350 | 14.4 | 1.30 | 49.8 |
| | 2000 | 102 | F062009020000300 | 893 | 1557 | 1688 | 18.0 | 1.30 | 62.1 |
| | 2600 | 102 | F062009026000300 | 1161 | 2025 | 2194 | 23.4 | 1.30 | 8.8 |
| Tips 30 | | | | | | | | | |
| | 400 | 152 | F063009004000300 | 235 | 417 | 453 | 5.3 | 1.34 | 16.3 |
| | 1600 | 152 | F063009016000300 | 941 | 1668 | 1812 | 21.3 | 1.34 | 71.8 |
| | 2000 | 152 | F063009020000300 | 1176 | 2085 | 2265 | 26.6 | 1.34 | 9.3 |
| | 2600 | 152 | F063009026000300 | 1529 | 2711 | 2945 | 34.6 | 1.34 | 118.8 |
| | 3000 | 152 | F063009030000300 | 1764 | 3128 | 3398 | 39.9 | 1.34 | 136.6 |