



Data sheet

2026-06-15

Premier HE

Myson Premier HE stylish round top radiators in imperial sizes



- ✓ Stylish, hazard-reducing round top
 - ✓ Impressive heat outputs
 - ✓ Suitable for low temperature systems
 - ✓ Numerous sizes available
 - ✓ Imperial sizes for retrofitting
- Myson **Premier HE** is famous for its round top which not only provides extra safety, but also gives the Premier HE radiator its unique style and good looks. As the only UK panel radiator range offering imperial fitting dimensions, Myson's Premier HE is the perfect panel radiator for retro fitting projects. The Myson Premier Metric offers the same great looks high performance, but in metric sizes. Also available with factory fitted top grille and side panels - see Premier Compact.



Area of application

Premier HE is suitable for 2-pipe pumped indirect domestic and commercial heating applications. Designed for retrofit projects, it features a stylish round top and impressive heat outputs. Available in various sizes, it is perfect for traditional and modern room designs.

Sizing

For selecting or calculating thermal heat power output, please use our design service. For quick selection, use our brochure.

Usage

Premier HE radiators are designed for use on 2-pipe pumped indirect heating systems with a maximum working temperature of 100°C. Each radiator is tested to 7 bar pressure and is suitable for a working pressure of

5.4 bar. Installation should ensure proper alignment with ½" BSP connections and incorporate air vents as needed. Ensure the system is clean and free from debris before and after installation.

AMA Text

The Myson Premier HE panel radiator is a versatile option for 2-pipe pumped indirect domestic and commercial heating applications. Tested to BS EN 442 standards and marked with BS Kitemark, CE, and UKCA, it guarantees quality and safety. Available in 121 sizes, it supports a maximum operating temperature of 100°C and pressures up to 5.4 bar. Premier HE features a unique round top design, ensuring both style and safety, while providing impressive heat outputs. Ideal for retrofitting, it comes with a 10-year warranty and fits traditional or modern room designs with ease. Install with appropriate air vents and ensure system cleanliness for optimal performance.



Specifications

| PROPERTIES | UNIT | VALUES |
|---|------|-----------------|
| ETIM Class | | EC011022 |
| Material | | Steel |
| Type | | 11, 21, 22 |
| Surface structure | | Profiled |
| Max working pressure | bar | 5.4 |
| Number of standard connections | | 2,4 |
| Heat output according to recognized EN 442 laboratory | | Yes |
| Max. Operating Temperature | °C | 100 |
| Standard color | | Yes |
| Color | | White |
| RAL number | | 9016 |
| Grill/Cover plate | | Yes |
| Grill/Cover plate | | Yes |
| Gloss value | | Glossy |
| Thread dimension (inch) | | 1/2 inch |
| Thread connection | | Internal thread |
| With single-point connection | | Yes |
| With air vent connection | | Yes |
| With air valve/vent | | Yes |
| With drain option | | Yes |



Documents

| DOCUMENTS | DOCUMENT TYPE | LINK |
|--|---------------|---|
| Myson Complete Solutions - Full Brochure | Brochure | https://asset.productmarketingcloud.com/api/assetstorage/3577_8031f314-369f-4cf3-af0a-a9fc03976b1b |
| Myson Panel Radiators - range brochure | Brochure | https://asset.productmarketingcloud.com/api/assetstorage/3577_c47ba35e-7d74-4e42-8f64-965cfeec973c |
| Product Warranty | Warranty | https://asset.productmarketingcloud.com/api/assetstorage/3577_ee6ba5d6-3073-4ac1-8de0-f0c719a2c4ab |
| Premier HE Connection Options | Installation | https://asset.productmarketingcloud.com/api/assetstorage/3577_f52e0d06-def1-4ee2-8206-e746fe1f63be |

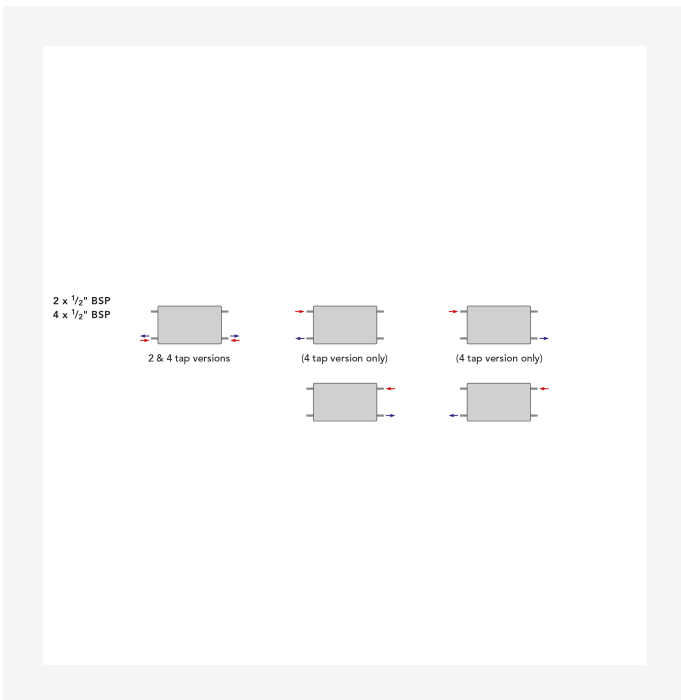


Resources

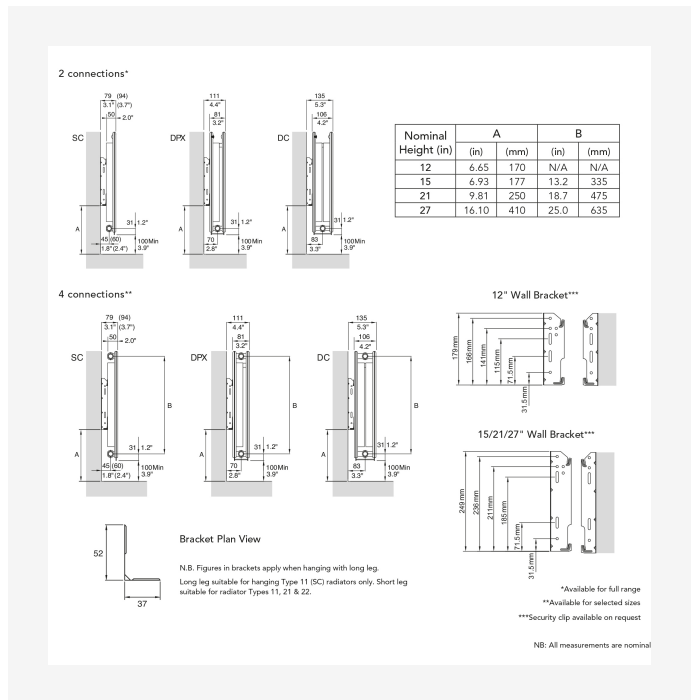


ProductImage - Premier HE

ProductImage - Premier HE



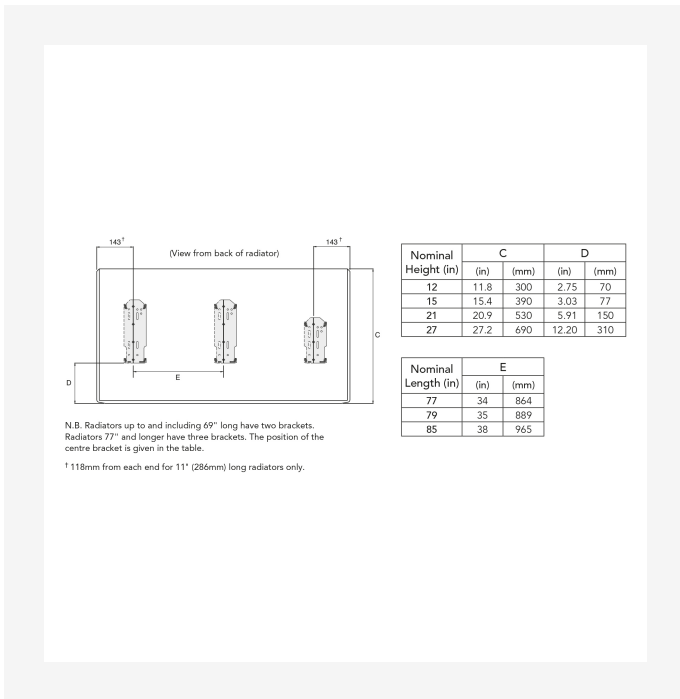
Installation - Premier HE Connection Options



DimensionalDrawing - Premier HE Mounting Positions, Dimensions and Wall Brackets



Resources



Dimensional Drawing - Premier HE Bracket Positions and Dimensions



Related products



Matchmate



Finesse



Matchmaster



Matchmaster PF90



Decorative TRV Valves



Decorative Modern Valves



Decorative TRV Valve Pack



Decorative Slimline Valves



Decorative Traditional Valves



Myson Plus Manual Valves



Myson Plus Radiator Packs



Myson Plus TRV Valves



Related products



TRV2



TRV2 Radiator Packs



300

| HEIGHT 300 mm | LENGTH | DEPTH | 4-TAP | (Btu/H) 55/45/20°C | (Btu/H) 75/65/20°C | VOLUME (l) | N-EXPONENT | WEIGHT (kg) |
|----------------|--------|-------|--------|--------------------|--------------------|------------|------------|-------------|
| Type 11 | | | | | | | | |
| | 400 | 50 | 12SC15 | 356 | 680 | 1.0 | 1.27 | 3.3 |
| | 800 | 50 | 12SC31 | 730 | 1395 | 2.0 | 1.27 | 6.4 |
| | 1200 | 50 | 12SC47 | 1103 | 2109 | 3.0 | 1.27 | 9.3 |
| | 1600 | 50 | 12SC63 | 1477 | 2824 | 4.0 | 1.27 | 11.9 |
| Type 22 | | | | | | | | |
| | 800 | 106 | 12DC31 | 1408 | 2712 | 5.0 | 1.28 | 12.3 |
| | 1200 | 106 | 12DC47 | 2129 | 4098 | 7.0 | 1.28 | 2.2 |
| | 1600 | 106 | 12DC63 | 2851 | 5489 | 9.0 | 1.28 | 24.4 |
| | 2000 | 106 | 12DC79 | 3571 | 6875 | 12.0 | 1.28 | 3.8 |



390

| HEIGHT 390 mm | LENGTH | DEPTH | ITEM NO (LEFT) | ITEM NO (RIGHT) | (Btu/H) 55/45/20°C | (Btu/H) 75/65/20°C | VOLUME (l) | N- EXPONENT | WEIGHT (kg) |
|------------------|--------|-------|-------------------|--------------------|-----------------------|-----------------------|---------------|----------------|----------------|
| Type 11 | | | | | | | | | |
| | 540 | 50 | | | 630 | 1207 | 2.0 | 127 | 5.6 |
| | 641 | 50 | | | 748 | 1433 | 2.0 | 127 | 6.8 |
| | 743 | 50 | | | 867 | 1661 | 2.0 | 127 | 7.9 |
| | 946 | 50 | 415SC37 | 15SC37 | 1104 | 2114 | 3.0 | 127 | 10.2 |
| | 1047 | 50 | 415SC41 | 15SC41 | 1222 | 2342 | 3.0 | 127 | 16 |
| | 1149 | 50 | 415SC45 | 15SC45 | 1340 | 2568 | 4.0 | 127 | 11.7 |
| | 1251 | 50 | 415SC49 | 15SC49 | 1459 | 2796 | 4.0 | 127 | 12.7 |
| | 1352 | 50 | 415SC53 | 15SC53 | 1578 | 3024 | 4.0 | 127 | 13.4 |
| | 1454 | 50 | | | 1696 | 3249 | 5.0 | 127 | 14.5 |
| | 1556 | 50 | | | 1815 | 3477 | 5.0 | 127 | 15.6 |
| | 1759 | 50 | | | 2052 | 3931 | 6.0 | 127 | 17.4 |
| | 1962 | 50 | | | 2289 | 4385 | 6.0 | 127 | 19.7 |
| Type 21 | | | | | | | | | |
| | 743 | 81 | | | 1279 | 2467 | 5.0 | 128 | 13.0 |
| | 946 | 81 | 415DPX37 | 15DPX37 | 1629 | 3141 | 6.0 | 128 | 16.5 |
| | 1047 | 81 | 415DPX41 | 15DPX41 | 1805 | 3479 | 7.0 | 128 | 18.5 |
| | 1149 | 81 | 415DPX45 | 15DPX45 | 1979 | 3815 | 7.0 | 128 | 19.8 |
| | 1251 | 81 | 415DPX49 | 15DPX49 | 2154 | 4153 | 8.0 | 128 | 21.3 |
| | 1352 | 81 | 415DPX53 | 15DPX53 | 2330 | 4492 | 9.0 | 128 | 23.1 |
| | 1454 | 81 | 415DPX57 | 15DPX57 | 2504 | 4827 | 9.0 | 128 | 24.9 |
| | 1556 | 81 | | | 2680 | 5166 | 10.0 | 128 | 26.6 |
| | 1759 | 81 | | | 3029 | 5840 | 11.0 | 128 | 29.9 |
| | 1962 | 81 | | | 3379 | 6514 | 13.0 | 128 | 34.0 |
| Type 22 | | | | | | | | | |
| | 540 | 106 | | | 1186 | 2303 | 3.0 | 130 | 1.1 |



390

| HEIGHT 390 mm | LENGTH | DEPTH | ITEM NO (LEFT) | ITEM NO (RIGHT) | (Btu/H) 55/45/20°C | (Btu/H) 75/65/20°C | VOLUME (l) | N- EXPONENT | WEIGHT (kg) |
|------------------|--------|-------|-------------------|--------------------|-----------------------|-----------------------|---------------|----------------|----------------|
| | 641 | 106 | | | 1408 | 2734 | 4.0 | 1.30 | 12.8 |
| | 743 | 106 | 415DC29 | 15DC29 | 1632 | 3169 | 5.0 | 1.30 | 15.3 |
| | 946 | 106 | 415DC37 | 15DC37 | 2078 | 4035 | 6.0 | 1.30 | 18.3 |
| | 1047 | 106 | 415DC41 | 15DC41 | 2302 | 4470 | 7.0 | 1.30 | 21.2 |
| | 1149 | 106 | 415DC45 | 15DC45 | 2524 | 4900 | 7.0 | 1.30 | 22.7 |
| | 1251 | 106 | 415DC49 | 15DC49 | 2748 | 5336 | 8.0 | 1.30 | 25.5 |
| | 1352 | 106 | 415DC53 | 15DC53 | 2972 | 5771 | 9.0 | 1.30 | 26.4 |
| | 1454 | 106 | | | 3194 | 6201 | 9.0 | 1.30 | 28.5 |
| | 1556 | 106 | | | 3418 | 6636 | 10.0 | 1.30 | 3.9 |
| | 1759 | 106 | | | 3864 | 7502 | 11.0 | 1.30 | 34.4 |
| | 1962 | 106 | | | 4310 | 8368 | 13.0 | 1.30 | 38.9 |
| | 2165 | 106 | | | 4756 | 9234 | 14.0 | 1.30 | 43.4 |



530

| HEIGHT 530 mm | LENGTH | DEPTH | ITEM NO (LEFT) | ITEM NO (RIGHT) | (Btu/H) 55/45/20°C | (Btu/H) 75/65/20°C | VOLUME (l) | N- EXPONENT | WEIGHT (kg) |
|------------------|--------|-------|-------------------|--------------------|-----------------------|-----------------------|---------------|----------------|----------------|
| Type 11 | | | | | | | | | |
| | 438 | 50 | 421SC17 | 21SC17 | 667 | 1281 | 2.0 | 1.28 | 6.4 |
| | 540 | 50 | 421SC21 | 21SC21 | 822 | 1579 | 2.0 | 1.28 | 7.9 |
| | 641 | 50 | 421SC25 | 21SC25 | 976 | 1874 | 3.0 | 1.28 | 9.2 |
| | 743 | 50 | 421SC29 | 21SC29 | 1131 | 2173 | 3.0 | 1.28 | 1.6 |
| | 844 | 50 | 421SC33 | 21SC33 | 1286 | 2471 | 3.0 | 1.28 | 11.9 |
| | 946 | 50 | 421SC37 | 21SC37 | 1440 | 2766 | 4.0 | 1.28 | 13.2 |
| | 1047 | 50 | 421SC41 | 21SC41 | 1595 | 3064 | 4.0 | 1.28 | 14.5 |
| | 1149 | 50 | 421SC45 | 21SC45 | 1749 | 3360 | 5.0 | 1.28 | 16.1 |
| | 1251 | 50 | 421SC49 | 21SC49 | 1904 | 3658 | 5.0 | 1.28 | 17.4 |
| | 1352 | 50 | 421SC53 | 21SC53 | 2059 | 3956 | 5.0 | 1.28 | 18.9 |
| | 1454 | 50 | 421SC57 | 21SC57 | 2213 | 4252 | 6.0 | 1.28 | 2.2 |
| | 1556 | 50 | 421SC61 | 21SC61 | 2368 | 4550 | 6.0 | 1.28 | 21.6 |
| | 1759 | 50 | 421SC69 | 21SC69 | 2677 | 5143 | 7.0 | 1.28 | 24.3 |
| | 1962 | 50 | | | 2986 | 5737 | 8.0 | 1.28 | 25.6 |
| | 2165 | 50 | | | 3295 | 6331 | 9.0 | 1.28 | 29.2 |
| Type 21 | | | | | | | | | |
| | 438 | 81 | 421DPX17 | 21DPX17 | 966 | 1876 | 4.0 | 1.30 | 1.2 |
| | 540 | 81 | 421DPX21 | 21DPX21 | 1191 | 2312 | 4.0 | 1.30 | 13.6 |
| | 641 | 81 | 421DPX25 | 21DPX25 | 1413 | 2745 | 5.0 | 1.30 | 15.6 |
| | 743 | 81 | 421DPX29 | 21DPX29 | 1638 | 3182 | 6.0 | 1.30 | 18.4 |
| | 844 | 81 | 421DPX33 | 21DPX33 | 1863 | 3618 | 7.0 | 1.30 | 19.9 |
| | 946 | 81 | 421DPX37 | 21DPX37 | 2086 | 4051 | 8.0 | 1.30 | 22.3 |
| | 1047 | 81 | 421DPX41 | 21DPX41 | 2311 | 4488 | 9.0 | 1.30 | 24.4 |
| | 1149 | 81 | 421DPX45 | 21DPX45 | 2533 | 4920 | 10.0 | 1.30 | 26.7 |
| | 1251 | 81 | 421DPX49 | 21DPX49 | 2758 | 5357 | 10.0 | 1.30 | 29.2 |



530

| HEIGHT 530 mm | LENGTH | DEPTH | ITEM NO (LEFT) | ITEM NO (RIGHT) | (Btu/H) 55/45/20°C | (Btu/H) 75/65/20°C | VOLUME (l) | N- EXPONENT | WEIGHT (kg) |
|------------------|--------|-------|-------------------|--------------------|-----------------------|-----------------------|---------------|----------------|----------------|
| | 1352 | 81 | 421DPX53 | 21DPX53 | 2983 | 5794 | 11.0 | 1.30 | 32.2 |
| | 1454 | 81 | | | 3206 | 6226 | 12.0 | 1.30 | 34.3 |
| | 1556 | 81 | | | 3431 | 6663 | 13.0 | 1.30 | 36.3 |
| | 1759 | 81 | | | 3878 | 7532 | 15.0 | 1.30 | 4.8 |
| | 1962 | 81 | | | 4326 | 8401 | 16.0 | 1.30 | 45.8 |
| Type 22 | | | | | | | | | |
| | 438 | 106 | 421DC17 | 21DC17 | 1226 | 2411 | 4.0 | 1.32 | 12.2 |
| | 540 | 106 | 421DC21 | 21DC21 | 1511 | 2972 | 4.0 | 1.32 | 15.2 |
| | 641 | 106 | 421DC25 | 21DC25 | 1794 | 3528 | 5.0 | 1.32 | 18.8 |
| | 743 | 106 | 421DC29 | 21DC29 | 2079 | 4089 | 6.0 | 1.32 | 21.8 |
| | 844 | 106 | 421DC33 | 21DC33 | 2365 | 4651 | 7.0 | 1.32 | 23.2 |
| | 946 | 106 | 421DC37 | 21DC37 | 2647 | 5206 | 8.0 | 1.32 | 26.7 |
| | 1047 | 106 | 421DC41 | 21DC41 | 2933 | 5768 | 9.0 | 1.32 | 29.2 |
| | 1149 | 106 | 421DC45 | 21DC45 | 3215 | 6324 | 10.0 | 1.32 | 31.6 |
| | 1251 | 106 | 421DC49 | 21DC49 | 3501 | 6885 | 10.0 | 1.32 | 34.2 |
| | 1352 | 106 | 421DC53 | 21DC53 | 3786 | 7446 | 11.0 | 1.32 | 37.3 |
| | 1454 | 106 | | | 4069 | 8002 | 12.0 | 1.32 | 39.8 |
| | 1556 | 106 | | | 4354 | 8564 | 13.0 | 1.32 | 42.5 |
| | 1759 | 106 | | | 4922 | 9681 | 15.0 | 1.32 | 48.0 |
| | 1962 | 106 | | | 5490 | 10798 | 16.0 | 1.32 | 52.5 |
| | 2165 | 106 | | | 6058 | 11915 | 18.0 | 1.32 | 56.0 |



690

| HEIGHT 690 mm | LENGTH | DEPTH | ITEM NO (LEFT) | ITEM NO (RIGHT) | (Btu/H) 55/45/20°C | (Btu/H) 75/65/20°C | VOLUME (l) | N- EXPONENT | WEIGHT (kg) |
|------------------|--------|-------|-------------------|--------------------|-----------------------|-----------------------|---------------|----------------|----------------|
| Type 11 | | | | | | | | | |
| | 286 | 50 | 427SC11 | 27SC11 | 534 | 1042 | 1.0 | 1.31 | 5.6 |
| | 438 | 50 | 427SC17 | 27SC17 | 818 | 1596 | 2.0 | 1.31 | 8.3 |
| | 540 | 50 | 427SC21 | 27SC21 | 1009 | 1968 | 3.0 | 1.31 | 11 |
| | 641 | 50 | 427SC25 | 27SC25 | 1198 | 2336 | 3.0 | 1.31 | 11.9 |
| | 743 | 50 | 427SC29 | 27SC29 | 1388 | 2708 | 4.0 | 1.31 | 13.9 |
| | 844 | 50 | 427SC33 | 27SC33 | 1579 | 3079 | 4.0 | 1.31 | 15.7 |
| | 946 | 50 | 427SC37 | 27SC37 | 1767 | 3447 | 5.0 | 1.31 | 17.4 |
| | 1047 | 50 | 427SC41 | 27SC41 | 1958 | 3819 | 5.0 | 1.31 | 19.3 |
| | 1149 | 50 | 427SC45 | 27SC45 | 2147 | 4187 | 6.0 | 1.31 | 2.9 |
| | 1352 | 50 | | | 2528 | 4930 | 7.0 | 1.31 | 23.0 |
| | 1556 | 50 | | | 2907 | 5670 | 8.0 | 1.31 | 26.2 |
| | 1759 | 50 | | | 3286 | 6410 | 9.0 | 1.31 | 3.9 |
| Type 21 | | | | | | | | | |
| | 438 | 81 | 427DPX17 | 27DPX17 | 1198 | 2343 | 4.0 | 1.31 | 13.9 |
| | 540 | 81 | 427DPX21 | 27DPX21 | 1477 | 2889 | 5.0 | 1.31 | 16.9 |
| | 641 | 81 | 427DPX25 | 27DPX25 | 1753 | 3429 | 6.0 | 1.31 | 2.1 |
| | 743 | 81 | 427DPX29 | 27DPX29 | 2032 | 3975 | 7.0 | 1.31 | 23.1 |
| | 844 | 81 | 427DPX33 | 27DPX33 | 2311 | 4521 | 8.0 | 1.31 | 25.9 |
| | 946 | 81 | 427DPX37 | 27DPX37 | 2587 | 5061 | 9.0 | 1.31 | 29.3 |
| | 1047 | 81 | | | 2866 | 5607 | 10.0 | 1.31 | 32.2 |
| | 1149 | 81 | | | 3142 | 6147 | 11.0 | 1.31 | 35.6 |
| | 1352 | 81 | | | 3700 | 7239 | 13.0 | 1.31 | 41.3 |
| | 1556 | 81 | | | 4255 | 8325 | 15.0 | 1.31 | 47.3 |
| Type 22 | | | | | | | | | |
| | 286 | 106 | 427DC11 | 27DC11 | 992 | 1951 | 3.0 | 1.32 | 1.6 |



690

| HEIGHT 690 mm | LENGTH | DEPTH | ITEM NO (LEFT) | ITEM NO (RIGHT) | (Btu/H) 55/45/20°C | (Btu/H) 75/65/20°C | VOLUME (l) | N- EXPONENT | WEIGHT (kg) |
|------------------|--------|-------|-------------------|--------------------|-----------------------|-----------------------|---------------|----------------|----------------|
| | 438 | 106 | 427DC17 | 27DC17 | 1519 | 2987 | 4.0 | 1.32 | 15.9 |
| | 540 | 106 | 427DC21 | 27DC21 | 1872 | 3683 | 5.0 | 1.32 | 19.8 |
| | 641 | 106 | 427DC25 | 27DC25 | 2222 | 4372 | 6.0 | 1.32 | 23.9 |
| | 743 | 106 | 427DC29 | 27DC29 | 2576 | 5068 | 7.0 | 1.32 | 27.1 |
| | 844 | 106 | 427DC33 | 27DC33 | 2930 | 5763 | 8.0 | 1.32 | 3.8 |
| | 946 | 106 | 427DC37 | 27DC37 | 3280 | 6452 | 9.0 | 1.32 | 34.7 |
| | 1047 | 106 | 427DC41 | 27DC41 | 3633 | 7148 | 10.0 | 1.32 | 38.5 |
| | 1149 | 106 | 427DC45 | 27DC45 | 3984 | 7837 | 11.0 | 1.32 | 41.7 |
| | 1352 | 106 | | | 4691 | 9228 | 13.0 | 1.32 | 48.9 |
| | 1556 | 106 | | | 5395 | 10613 | 15.0 | 1.32 | 56.2 |
| | 1759 | 106 | | | 6099 | 11997 | 17.0 | 1.32 | 64.2 |