



Data sheet
2026-05-23

Plan Compact

Myson Plan Compact is a panel radiator with flat front



- ✓ Refined finish
- ✓ Optimal heat distribution
- ✓ Decorative grille & side panels
- ✓ Vertical models available
- ✓ Child-proof attachment

The Myson radiator range extends beyond the traditional steel panel radiator with stylish contemporary radiators in the Myson Plan and Plan Plus ranges - in both horizontal and vertical models. Myson **Plan Compact** offers a minimalist feel, combining good looks with leading performance. The sleek flat front panel design of Myson Plan is complimented by pre-assembled side panels, decorative top grille and child-proof attachment.



Area of application

Plan Compact is suitable for both domestic and commercial heating applications. It offers a sleek, flat steel plate design, side panels, and top grilles. Ideal for 2-pipe pumped indirect systems, it matches various dimensions for easy replacements.

Sizing

Use a Heat Loss Calculator to determine the required heat output from the Plan Compact range. It is available in Types 11, 21, 22, and 33.

Usage

Plan Compact radiators come with air vent and plug packs included. Install Thermostatic Radiator Valves for

temperature control. Suitable for 2-pipe indirect systems, ensure connections are secure and follow installation guidelines.

AMA Text

Plan Compact radiators are high-quality panel radiators featuring a flat front panel, side panels, and a top grille. Manufactured from steel and available in Types 11, 21, 22, and 33, they provide optimal heat distribution. Suitable for 2-pipe pumped indirect systems with 4 x 1/2" BSP connections. Tested to a pressure of 10.5 bar and operating temperature up to 100°C. Available in various heights and lengths, ensuring easy installation and replacement. Ideal for both domestic and commercial heating applications. Comes with a 10-year guarantee against manufacturing defects.



Specifications

PROPERTIES	UNIT	VALUES
ETIM Class		ECO11022
Material		Steel
Type		11, 21, 22, 33
Surface structure		Flat smooth
Max working pressure	bar	10
Number of standard connections		4
Heat output according to recognized EN 442 laboratory		Yes
Max. Operating Temperature	°C	110
Standard color		Yes
Color		White
RAL number		8948,8893,8982,8983,8949,8894,8895,8
Grill/Cover plate		Yes
Grill/Cover plate		Yes
Gloss value		Glossy
Thread dimension (inch)		1/2 inch
Thread connection		Internal thread
With single-point connection		Yes
With air vent connection		Yes
With air valve/vent		Yes
With drain option		Yes



Documents

DOCUMENTS	DOCUMENT TYPE	LINK
Myson Complete Solutions - Full Brochure	Brochure	https://asset.productmarketingcloud.com/api/assetstorage/3577_8031f314-369f-4cf3-af0a-a9fc03976b1b
Myson Premium Panel & Designer Radiators	Brochure	https://asset.productmarketingcloud.com/api/assetstorage/3577_7699fab3-51e3-4ceb-9b37-139ffed451d7
Product Warranty	Warranty	https://asset.productmarketingcloud.com/api/assetstorage/3577_ee6ba5d6-3073-4ac1-8de0-f0c719a2c4ab
Installation Instruction Compact Purmo	TechDia	https://asset.productmarketingcloud.com/api/assetstorage/3577_2da398bb-5820-4a58-af2d-62333aa4e65e



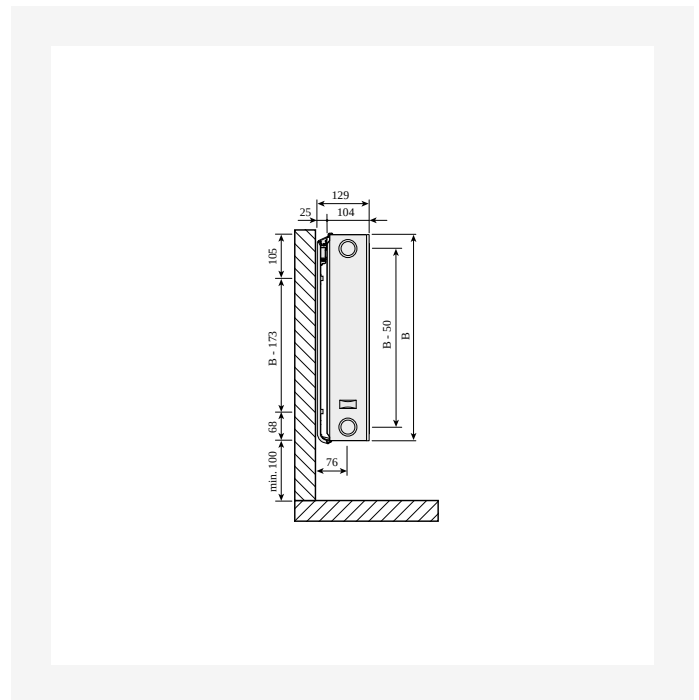
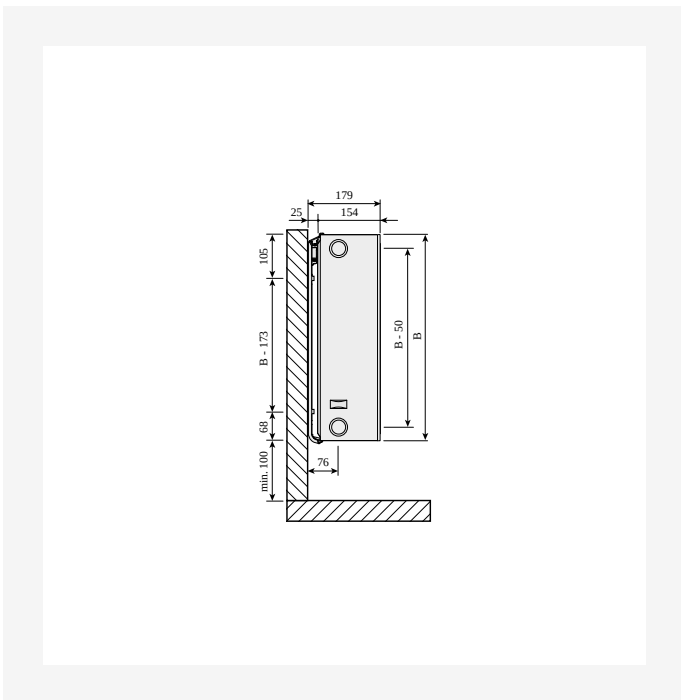
Resources



PLAN COMPACT (mm)				
	FC11		FC21s, FC22, FC33	
A	a1	a2	a1	a2
400-1600	117	-	133	-
1800	117	917	133	900
2000	117	1017	133	1000
2300	117	1150	133	1167
2600	117	1317	133	1300
3000	117	1517	133	1500

ProductImage - Product Picture

DimensionalDrawing - Plan Compact - table

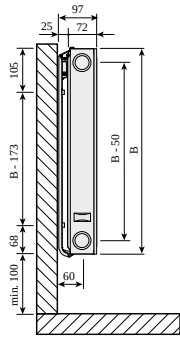


DimensionalDrawing - Plan Compact, type 33. side view with Monclac wall brackets

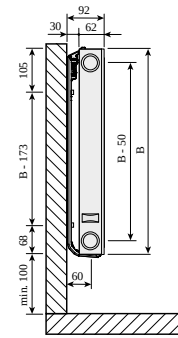
DimensionalDrawing - Plan Compact, type 22, side view with Monclac wall brackets



Resources



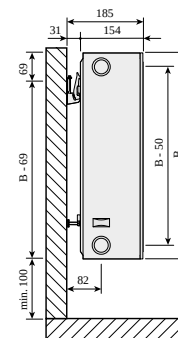
DimensionalDrawing - Plan Compact, type 21, side view with Monclac wall brackets



DimensionalDrawing - Plan Compact, type 11, side view with Monclac wall brackets



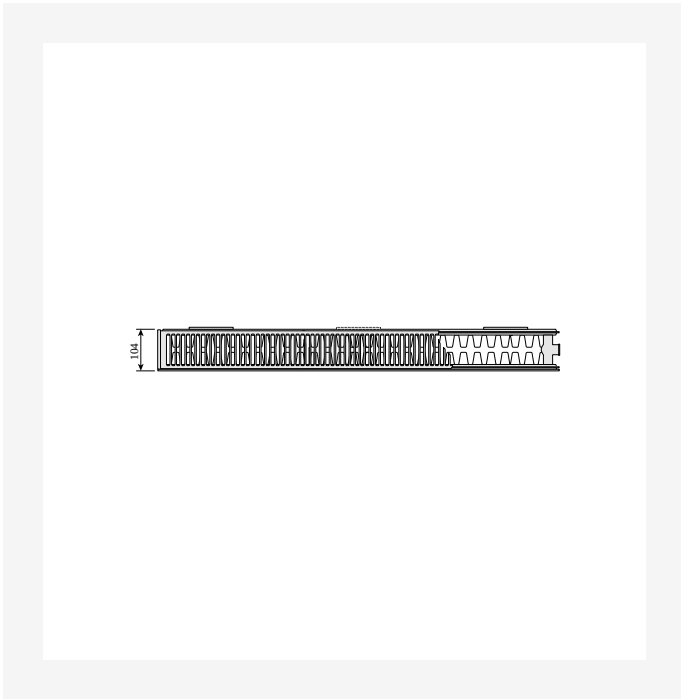
DimensionalDrawing - Plan Compact, Ramo Compact type 33, top view



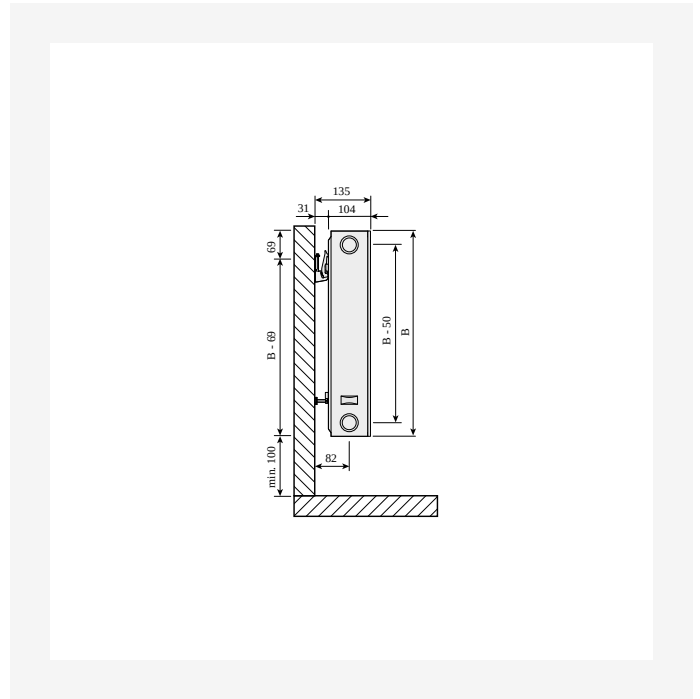
DimensionalDrawing - Plan Compact, Ramo Compact type 33, SV SSMS



Resources



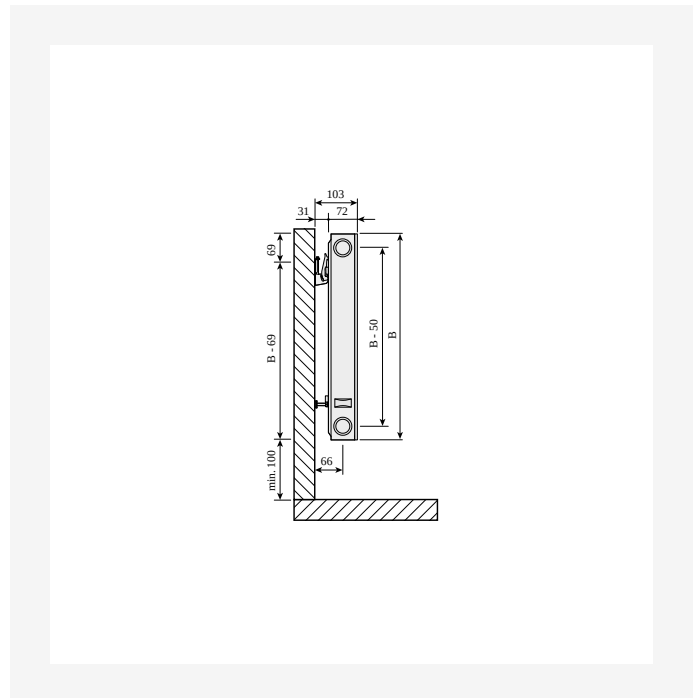
Dimensional Drawing - Plan Compact, Ramo Compact type 22, top view



Dimensional Drawing - Plan Compact, Ramo Compact type 22, side view with SSMS wall brackets.



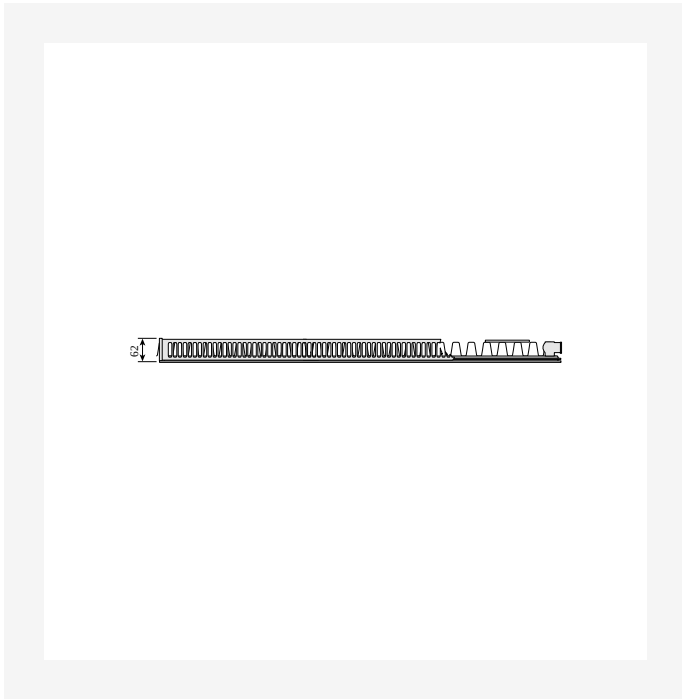
Dimensional Drawing - Plan Compact, Ramo Compact type 21s, top view



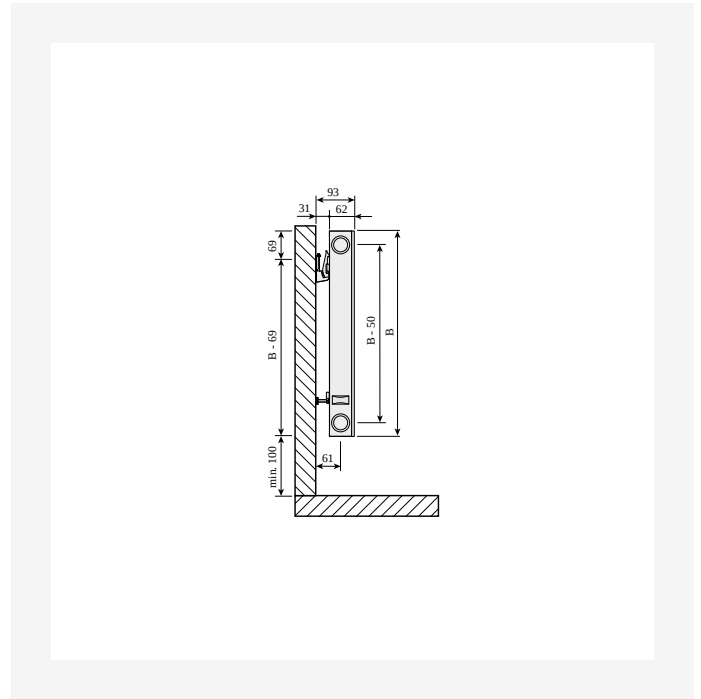
Dimensional Drawing - Plan Compact, Ramo Compact type 21s, side view with SSMS wall brackets



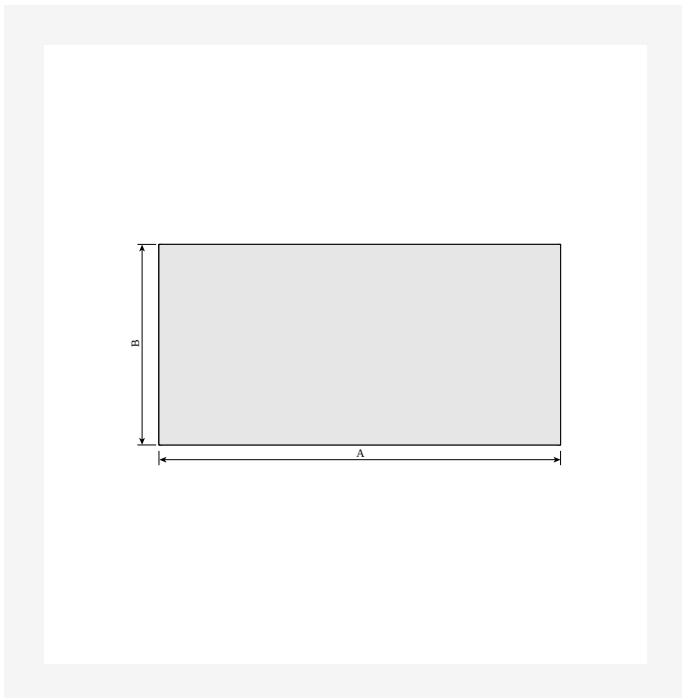
Resources



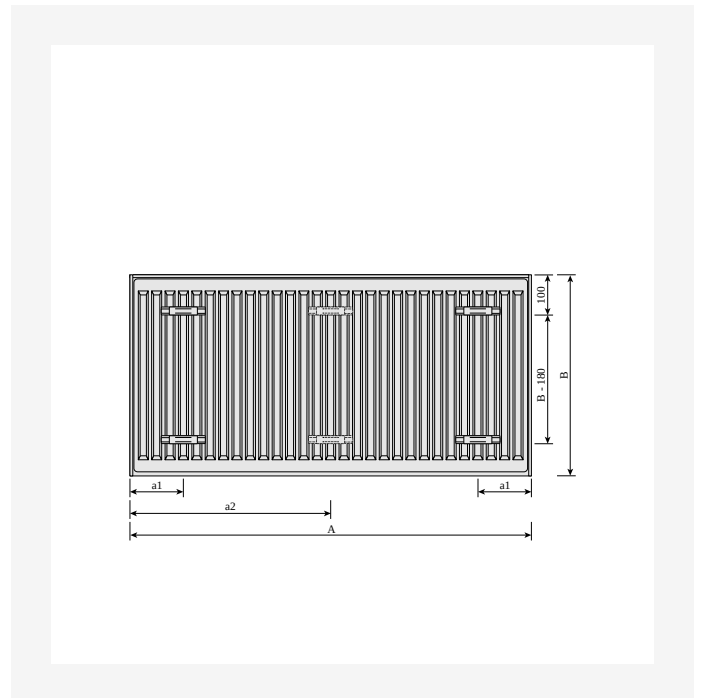
DimensionalDrawing - Plan Compact, Ramo Compact type 11, top view



DimensionalDrawing - Plan Compact, Ramo Compact type 11, side view with SSMS wall brackets



DimensionalDrawing - Plan Compact front view



DimensionalDrawing - Compact, back view



Related products



Matchmate



Matchmaster



Matchmaster PF90



Decorative TRV Valves



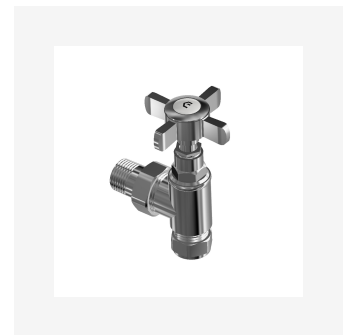
Decorative Modern Valves



Decorative TRV Valve Pack



Decorative Slimline Valves



Decorative Traditional Valves



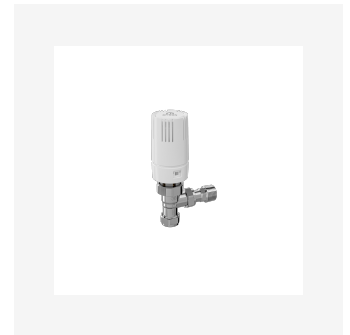
Myson Plus Manual Valves



Myson Plus Radiator Packs



Myson Plus TRV Valves



TRV2



Related products



TRV2 Radiator Packs



300

HEIGHT 300 mm	LENGTH	DEPTH	ITEM NO	(Btu/H) 55/45/20°C	(Btu/H) 75/65/20°C	VOLUME (l)	N-EXPONENT	WEIGHT (kg)
Type 11								
	600	63	30PS60G	563	1082	1.0	1.28	7.5
	1000	63	30PS100G	938	1805	2.0	1.28	11.8
	1400	63	30PS140G	1314	2528	2.0	1.28	15.9
	2000	63	30PS200G	1877	3610	3.0	1.28	22.2
Type 22								
	600	104	30PD60G	986	1918	2.0	1.30	11.5
	1000	104	30PD100G	1648	3197	3.0	1.30	18.1
	1400	104	30PD140G	2303	4477	4.0	1.30	24.8
	2000	104	30PD200G	3293	6394	6.0	1.30	34.9
Type 33								
	600	154	30PT60G	1375	2689	3.0	1.32	16.0
	1000	154	30PT100G	2289	4483	5.0	1.32	25.4
	1400	154	30PT140G	3204	6278	7.0	1.32	34.9
	2000	154	30PT200G	4579	8967	10.0	1.32	49.5



400

HEIGHT 400 mm	LENGTH	DEPTH	ITEM NO	(Btu/H) 55/45/20°C	(Btu/H) 75/65/20°C	VOLUME (l)	N-EXPONENT	WEIGHT (kg)
Type 11								
	400	63	40PS40G	481	928	1.0	1.28	6.9
	600	63	40PS60G	723	1392	1.0	1.28	10.1
	800	63	40PS80G	966	1856	2.0	1.28	12.5
	1000	63	40PS100G	1204	2320	2.0	1.28	15.3
	1200	63	40PS120G	1447	2784	3.0	1.28	18.1
	1400	63	40PS140G	1686	3248	3.0	1.28	3.0
	1600	63	40PS160G	1928	3712	4.0	1.28	23.8
	1800	63	40PS180G	2170	4176	4.0	1.28	26.7
	2000	63	40PS200G	2409	4640	4.0	1.28	29.4
Type 22								
	400	104	40PD40G	836	1634	2.0	1.31	1.5
	600	104	40PD60G	1256	2453	3.0	1.31	15.2
	800	104	40PD80G	1675	3269	3.0	1.31	19.5
	1000	104	40PD100G	2095	4088	4.0	1.31	24.2
	1200	104	40PD120G	2511	4906	5.0	1.31	28.5
	1400	104	40PD140G	2931	5722	6.0	1.31	33.4
	1600	104	40PD160G	3351	6541	7.0	1.31	37.5
	1800	104	40PD180G	3767	7356	8.0	1.31	42.5
	2000	104	40PD200G	4187	8175	8.0	1.31	46.5
Type 33								
	400	154	40PT40G	1157	2272	3.0	1.32	14.7
	600	154	40PT60G	1733	3412	4.0	1.32	21.2
	800	154	40PT80G	2313	4548	5.0	1.32	27.5
	1000	154	40PT100G	2890	5684	6.0	1.32	33.9
	1200	154	40PT120G	3467	6821	8.0	1.32	4.2



400

HEIGHT 400 mm	LENGTH	DEPTH	ITEM NO	(Btu/H) 55/45/20°C	(Btu/H) 75/65/20°C	VOLUME (l)	N-EXPONENT	WEIGHT (kg)
	1400	154	4OPT140G	4047	7957	9.0	1.32	46.6
	1600	154	4OPT160G	4623	9096	10.0	1.32	53.7
	1800	154	4OPT180G	5200	10233	11.0	1.32	59.4
	2000	154	4OPT200G	5780	11369	13.0	1.32	65.8



500

HEIGHT 500 mm	LENGTH	DEPTH	ITEM NO	(Btu/H) 55/45/20°C	(Btu/H) 75/65/20°C	VOLUME (l)	N-EXPONENT	WEIGHT (kg)
Type 11								
	400	63	50PS40G	583	1123	1.0	1.28	8.2
	600	63	50PS60G	873	1686	2.0	1.28	11.8
	800	63	50PS80G	1167	2245	2.0	1.28	15.4
	1000	63	50PS100G	1457	2808	3.0	1.28	19.2
	1200	63	50PS120G	1750	3371	3.0	1.28	22.6
	1400	63	50PS140G	2040	3931	4.0	1.28	26.2
	1600	63	50PS160G	2334	4494	5.0	1.28	29.8
	1800	63	50PS180G	2624	5053	5.0	1.28	33.4
	2000	63	50PS200G	2917	5616	6.0	1.28	37.8
Type 21								
	400	72	50PX40G	785	1518	2.0	1.29	11.3
	600	72	50PX60G	1177	2279	3.0	1.29	16.4
	800	72	50PX80G	1573	3037	4.0	1.29	21.3
	1000	72	50PX100G	1965	3798	5.0	1.29	26.4
	1200	72	50PX120G	2358	4558	6.0	1.29	31.4
	1400	72	50PX140G	2750	5316	7.0	1.29	36.4
	1600	72	50PX160G	3142	6077	8.0	1.29	41.4
	1800	72	50PX180G	3535	6834	9.0	1.29	46.4
	2000	72	50PX200G	3927	7595	10.0	1.29	51.4
Type 22								
	400	104	50PD40G	1003	1972	2.0	1.32	12.9
	600	104	50PD60G	1508	2955	3.0	1.32	18.6
	800	104	50PD80G	2010	3941	4.0	1.32	24.2
	1000	104	50PD100G	2511	4927	5.0	1.32	29.9
	1200	104	50PD120G	3013	5913	6.0	1.32	35.5



500

HEIGHT 500 mm	LENGTH	DEPTH	ITEM NO	(Btu/H) 55/45/20°C	(Btu/H) 75/65/20°C	VOLUME (l)	N-EXPONENT	WEIGHT (kg)
	1400	104	50PD140G	3514	6899	7.0	1.32	41.2
	1600	104	50PD160G	4016	7882	8.0	1.32	46.8
	1800	104	50PD180G	4521	8868	9.0	1.32	52.6
	2000	104	50PD200G	5022	9854	10.0	1.32	58.2
Type 33								
	400	154	50PT40G	1378	2723	3.0	1.33	18.2
	600	154	50PT60G	2068	4088	5.0	1.33	26.2
	800	154	50PT80G	2757	5449	6.0	1.33	34.2
	1000	154	50PT100G	3446	6810	8.0	1.33	42.3
	1200	154	50PT120G	4135	8172	9.0	1.33	5.3
	1400	154	50PT140G	4825	9533	11.0	1.33	58.3
	1600	154	50PT160G	5514	10898	12.0	1.33	66.3
	1800	154	50PT180G	6203	12259	14.0	1.33	74.4
	2000	154	50PT200G	6892	13621	15.0	1.33	82.5



600

HEIGHT 600 mm	LENGTH	DEPTH	ITEM NO	(Btu/H) 55/45/20°C	(Btu/H) 75/65/20°C	VOLUME (l)	N-EXPONENT	WEIGHT (kg)
Type 11								
	400	63	60PS40G	682	1310	1.0	1.28	11
	600	63	60PS60G	1020	1969	2.0	1.28	14.3
	800	63	60PS80G	1361	2624	3.0	1.28	18.5
	1000	63	60PS100G	1703	3279	3.0	1.28	22.7
	1200	63	60PS120G	2044	3934	4.0	1.28	27.0
	1400	63	60PS140G	2385	4589	5.0	1.28	31.2
	1600	63	60PS160G	2723	5248	5.0	1.28	35.5
	1800	63	60PS180G	3064	5903	6.0	1.28	39.7
	2000	63	60PS200G	3405	6558	7.0	1.28	44.0
	2300	63	60PS230G	3917	7541	8.0	1.28	5.3
	2600	63	60PS260G	4425	8527	9.0	1.28	56.7
	3000	63	60PS300G	5108	9837	10.0	1.28	65.2
Type 21								
	400	72	60PX40G	908	1757	2.0	1.30	13.6
	600	72	60PX60G	1358	2637	4.0	1.30	19.6
	800	72	60PX80G	1812	3514	5.0	1.30	25.7
	1000	72	60PX100G	2266	4395	6.0	1.30	31.8
	1200	72	60PX120G	2719	5275	7.0	1.30	37.9
	1400	72	60PX140G	3173	6152	9.0	1.30	44.0
	1600	72	60PX160G	3627	7032	10.0	1.30	5.5
	1800	72	60PX180G	4077	7909	11.0	1.30	56.1
	2000	72	60PX200G	4531	8789	12.0	1.30	62.3
	2300	72	60PX230G	5210	10106	14.0	1.30	71.3
	2600	72	60PX260G	5893	11427	16.0	1.30	8.5
	3000	72	60PX300G	6797	13184	18.0	1.30	92.6



600

HEIGHT 600 mm	LENGTH	DEPTH	ITEM NO	(Btu/H) 55/45/20°C	(Btu/H) 75/65/20°C	VOLUME (l)	N-EXPONENT	WEIGHT (kg)
Type 22								
	400	104	60PD40G	1160	2286	2.0	1.33	15.8
	600	104	60PD60G	1740	3432	4.0	1.33	22.6
	800	104	60PD80G	2320	4575	5.0	1.33	29.4
	1000	104	60PD100G	2900	5719	6.0	1.33	36.2
	1200	104	60PD120G	3480	6862	7.0	1.33	43.8
	1400	104	60PD140G	4060	8005	9.0	1.33	50.0
	1600	104	60PD160G	4640	9151	10.0	1.33	56.7
	1800	104	60PD180G	5220	10294	11.0	1.33	63.6
	2000	104	60PD200G	5800	11437	12.0	1.33	74
	2300	104	60PD230G	6670	13153	14.0	1.33	8.6
	2600	104	60PD260G	7541	14869	16.0	1.33	9.9
	3000	104	60PD300G	8697	17156	18.0	1.33	108.7
Type 33								
	400	154	60PT40G	1587	3149	4.0	1.34	21.9
	600	154	60PT60G	2382	4722	5.0	1.34	31.6
	800	154	60PT80G	3173	6299	7.0	1.34	41.3
	1000	154	60PT100G	3968	7871	9.0	1.34	51.2
	1200	154	60PT120G	4760	9444	11.0	1.34	6.7
	1400	154	60PT140G	5555	11021	12.0	1.34	7.4
	1600	154	60PT160G	6346	12594	14.0	1.34	8.7
	1800	154	60PT180G	7141	14170	16.0	1.34	89.8
	2000	154	60PT200G	7933	15743	18.0	1.34	103.4
	2300	154	60PT230G	9124	18104	20.0	1.34	114.0
	2600	154	60PT260G	10314	20465	23.0	1.34	128.5
	3000	154	60PT300G	11901	23614	26.0	1.34	148.0



900

HEIGHT 900 mm	LENGTH	DEPTH	ITEM NO	(Btu/H) 55/45/20°C	(Btu/H) 75/65/20°C	VOLUME (l)	N-EXPONENT	WEIGHT (kg)
Type 21								
900	72		F092109009010300	2736	5422	8.1	1.34	43.2
Type 22								
900	104		F092209009010300	3548	7066	8.1	1.35	49.8