

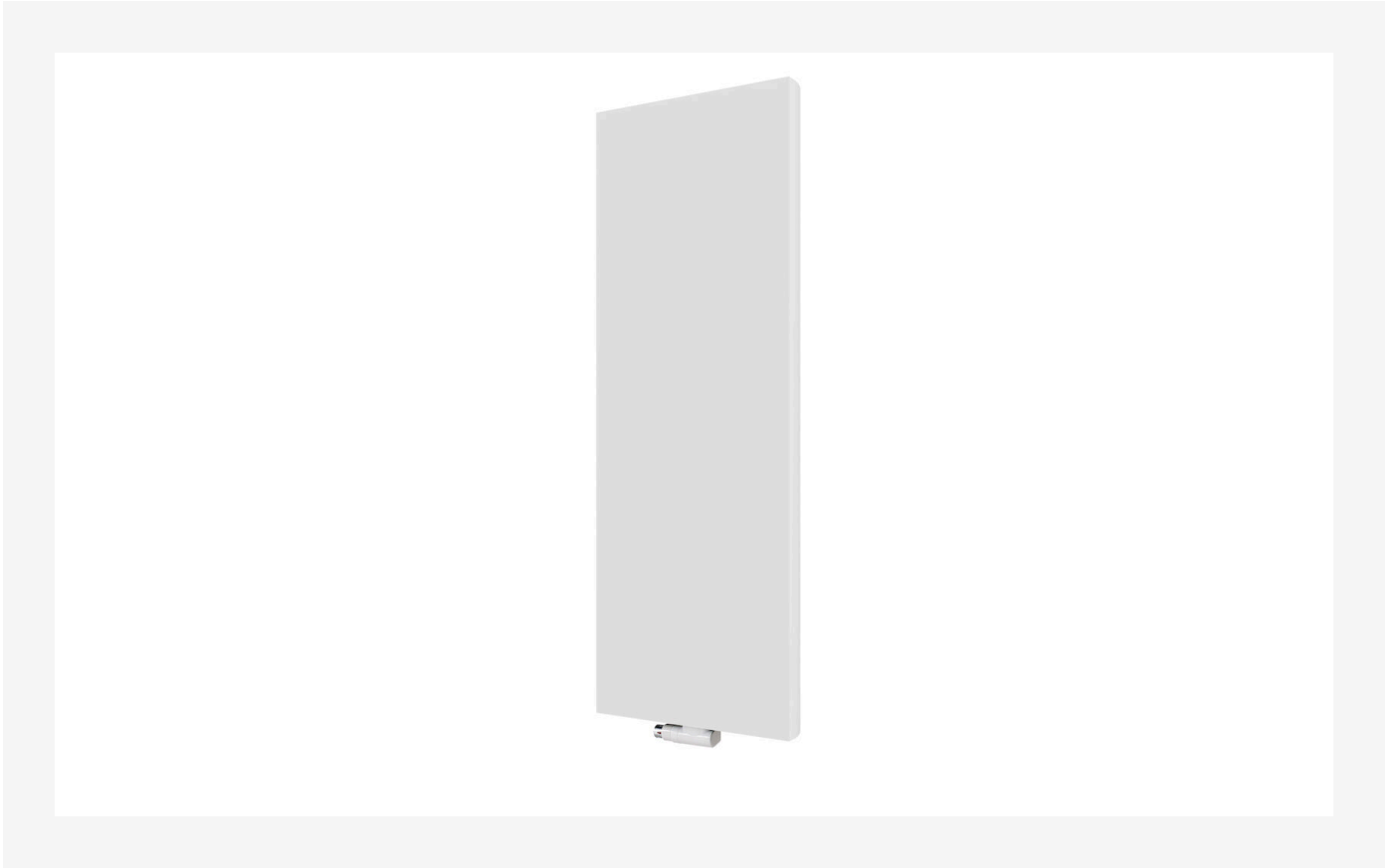


Data sheet

2026-05-09

Kos V

Timeless elegance



- ✓ Elegant timeless design
- ✓ Perfect solution for limited wall space
- ✓ High-quality stainless steel towel rail
- ✓ Available in various colours
- ✓ Blends into any interior

Kos V has a flat front that creates the impression of timeless elegance. The rounded, flat side panels ensure clean lines from all sides. Like tall interior furnishings, this designer radiator is not only intended to provide a sense of height, it is also a powerful heat source in areas where wall space is at a premium. The standard colour is RAL 9016 white, but many other colours and finishes are available on request. For increased functionality in the bathroom and kitchen, a stainless steel towel bar is available as an accessory. Complete with brackets, including set of screws and dowels, with mounting instructions, side covers with installation clips, 3 brass blanking plugs and air-vent.



Area of application

Kos V is ideal for both domestic and commercial heating applications, particularly in spaces where wall space is limited. It serves as a contemporary alternative to horizontal radiators and includes a sleek flat steel plate, side panels, and a top grill. Compatible with 2-pipe pumped indirect systems.

Sizing

Use a Heat Demand Calculator to determine which heat output is required from the wide range of Kos V vertical radiators.

Usage

Air vent and plug packs are provided in the packaging. To control room temperature, Thermostatic Radiator

Valves can be installed. Ensure that the brackets are used for secure mounting and follow the installation instructions provided in the kit.

AMA Text

Designer radiator, Kos V, is a vertical radiator with a flat, smooth front surface and closed side covers. Available as type 21 with two heating panels and one layer of convection fins, or as type 22 with two heating panels and two layers of convection fins. Ideal for 2-pipe pumped indirect heating systems in domestic and commercial applications. Includes brackets for mounting, air vent, side covers with installation clips, 3 brass blanking plugs and air-vent. Optional stainless steel towel bar available, standard colour RAL 9016 white, with other colours available on order.



Specifications

| PROPERTIES | UNIT | VALUES |
|---|------|-----------------|
| ETIM Class | | EC011022 |
| Material | | Steel |
| Type | | 21, 22 |
| Surface structure | | Flat smooth |
| Max working pressure | bar | 10 |
| Number of standard connections | | 4 |
| Heat output according to recognized EN 442 laboratory | | Yes |
| Max. Operating Temperature | °C | 110 |
| Standard color | | Yes |
| Color | | White |
| RAL number | | 9016 |
| Grill/Cover plate | | Yes |
| Grill/Cover plate | | Yes |
| Gloss value | | Glossy |
| Thread dimension (inch) | | 1/2 inch |
| Thread connection | | Internal thread |
| With single-point connection | | Yes |
| With air vent connection | | Yes |
| With air valve/vent | | Yes |
| With drain option | | Yes |

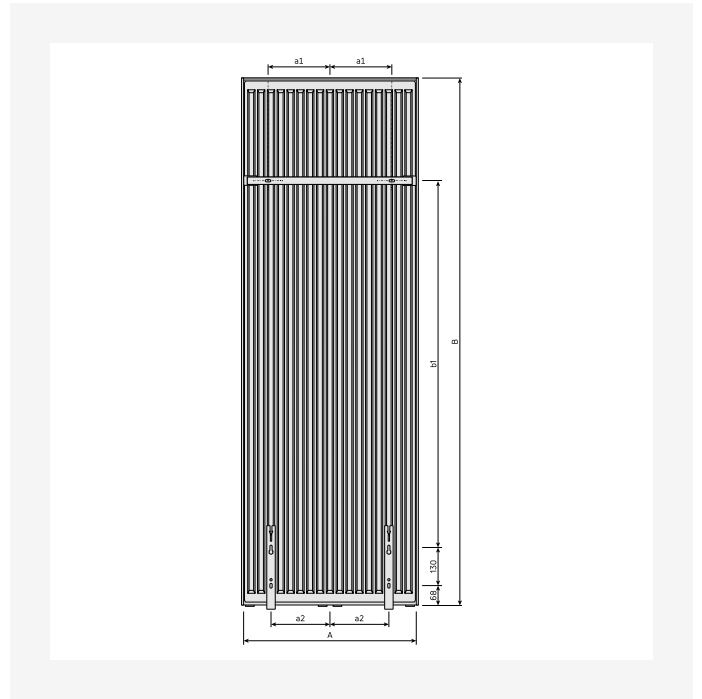


Documents

| DOCUMENTS | DOCUMENT TYPE | LINK |
|---|---------------|---|
| Colour options | Brochure | https://asset.productmarketingcloud.com/api/assetstorage/3577_559d73e5-f4c7-4bc1-a5d1-5d81098413e7 |
| Myson Complete Solutions - Full Brochure | Brochure | https://asset.productmarketingcloud.com/api/assetstorage/3577_8031f314-369f-4cf3-af0a-a9fc03976b1b |
| Myson Premium Panel & Designer Radiators | Brochure | https://asset.productmarketingcloud.com/api/assetstorage/3577_7699fab3-51e3-4ceb-9b37-139ffed451d7 |
| Range brochure | Brochure | https://asset.productmarketingcloud.com/api/assetstorage/3577_5a942de7-8bcb-4179-a4fc-d890b5c692f3 |
| Product Warranty | Warranty | https://asset.productmarketingcloud.com/api/assetstorage/3577_ee6ba5d6-3073-4ac1-8de0-f0c719a2c4ab |
| Vertical Radiator Installation Instructions | Installation | https://asset.productmarketingcloud.com/api/assetstorage/3577_ad715b96-fe81-40af-9d8a-5cea5c751f |
| Installation Manual Faro V | TechDia | https://asset.productmarketingcloud.com/api/assetstorage/3577_6a68539c-c460-4642-8d8b-056f68b79286 |

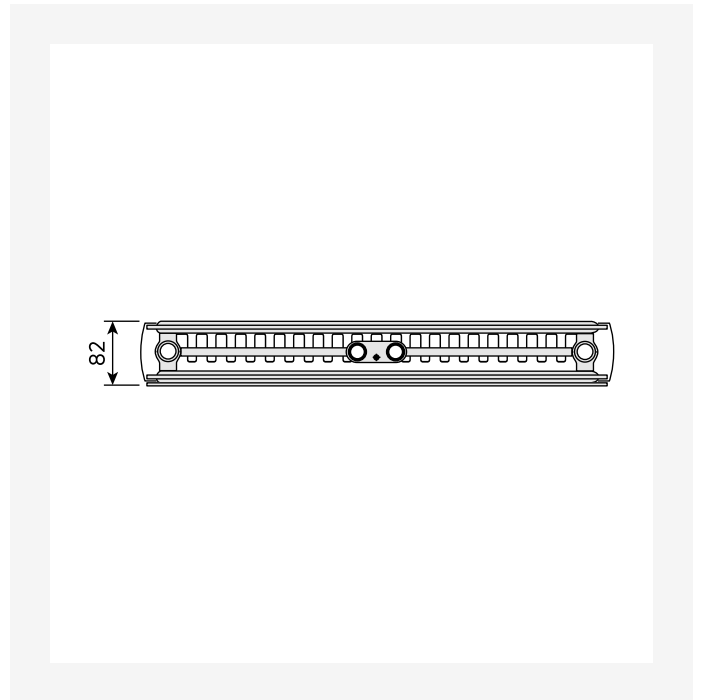
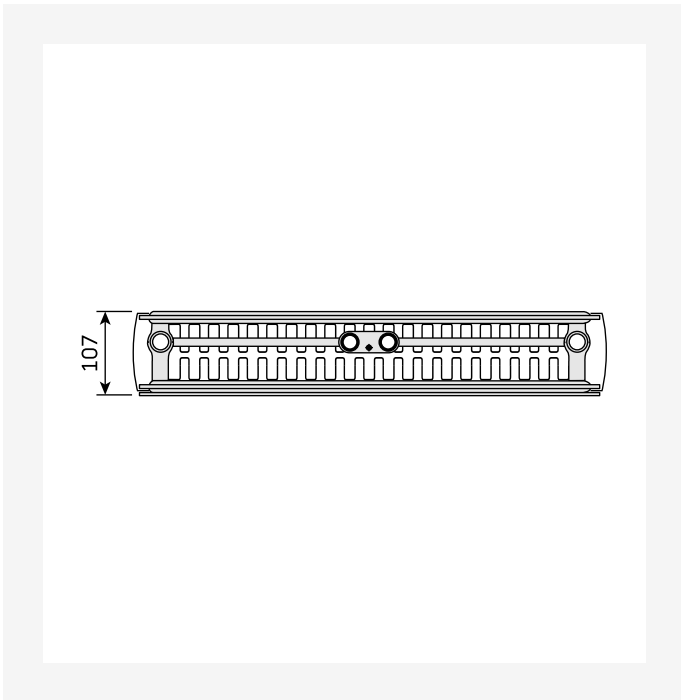


Resources



ProductImage - New_Kos-V main image

DimensionalDrawing - New_Kos V-Faro V rear view

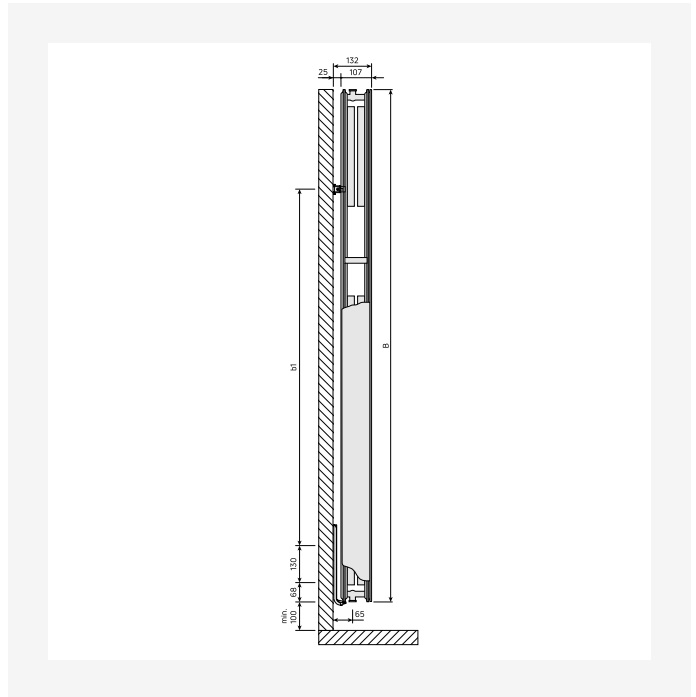
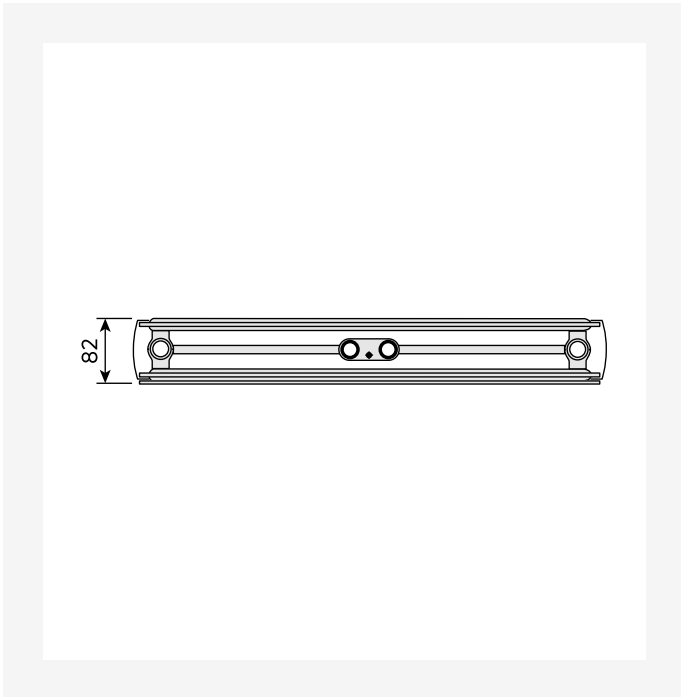


DimensionalDrawing - New_Kos V-Faro V top view

DimensionalDrawing - New_Kos V-Faro V top view

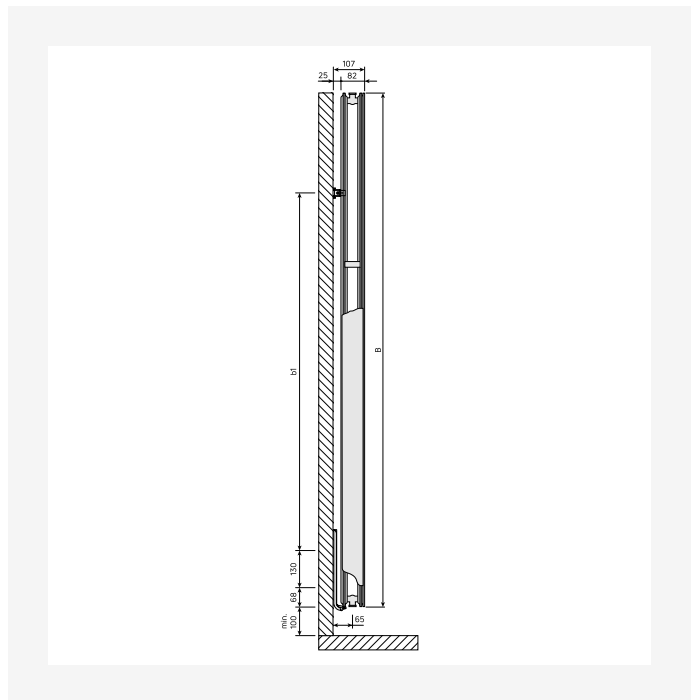
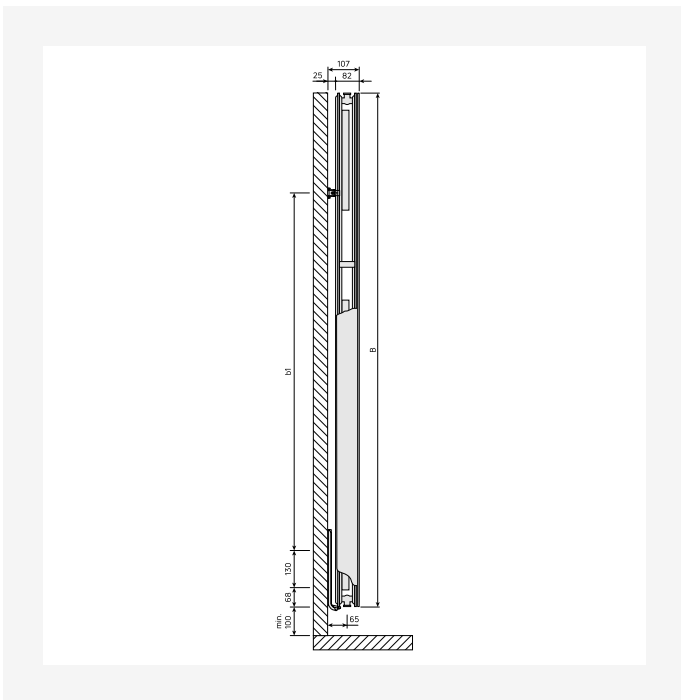


Resources



DimensionalDrawing - New_Kos V-Faro V top view

DimensionalDrawing - New_Kos V-Faro V side view

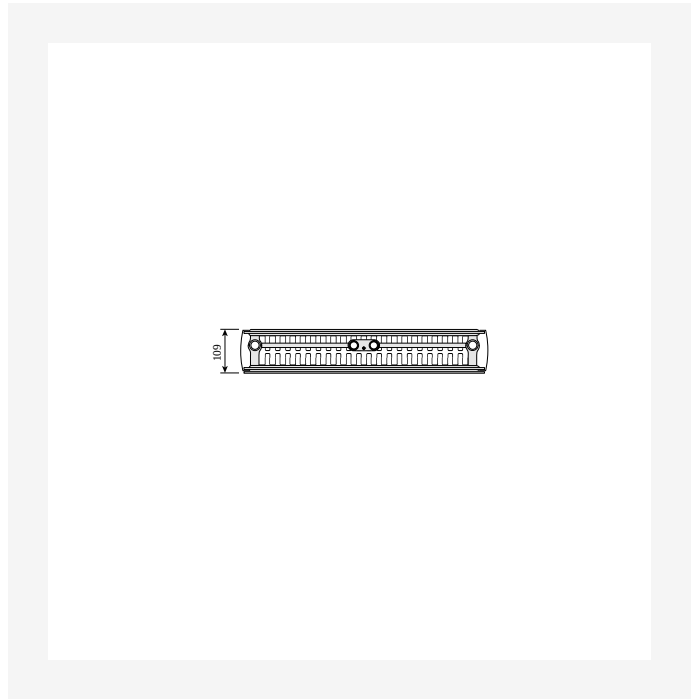
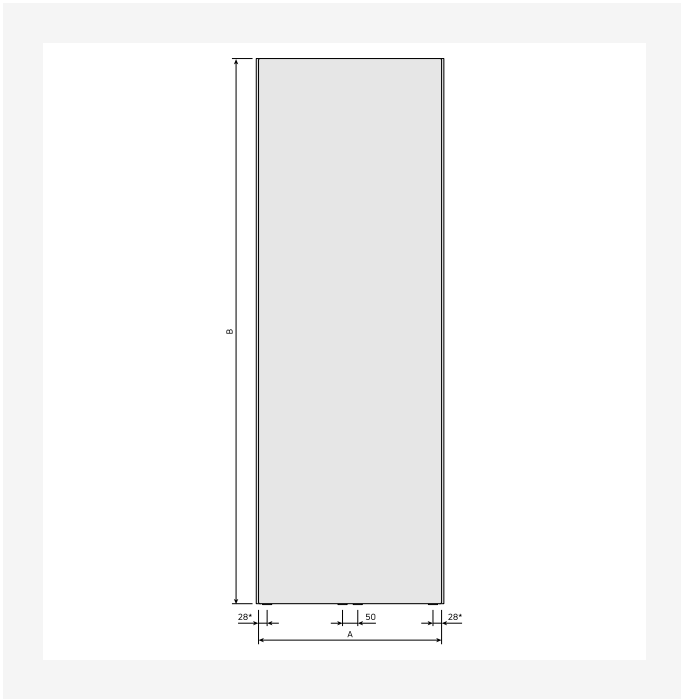


DimensionalDrawing - New_Kos V-Faro V side view

DimensionalDrawing - New_Kos V-Faro V side view

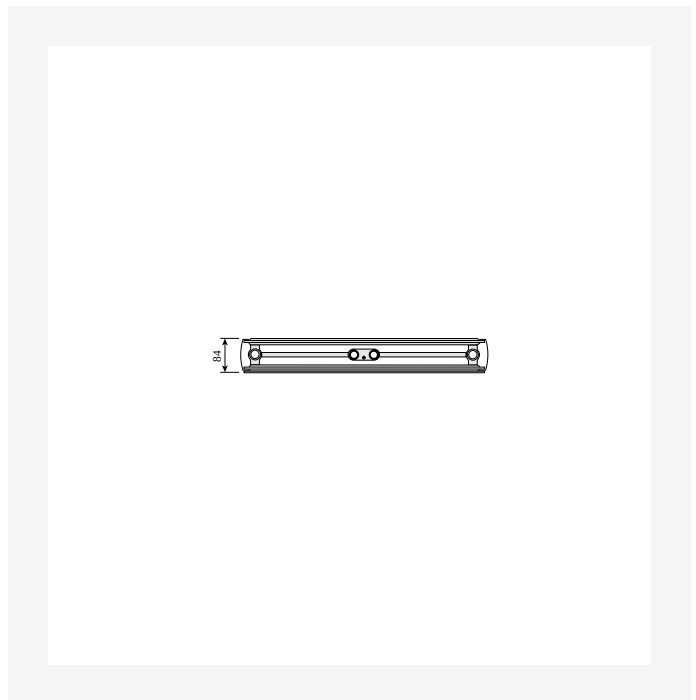
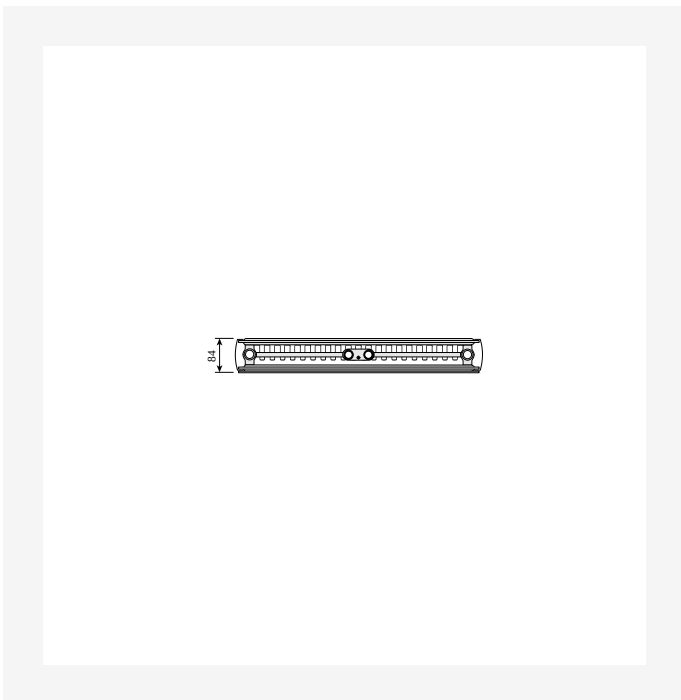


Resources



DimensionalDrawing - New Kos V front view

DimensionalDrawing - Kos V and Faro V, type 22, top view

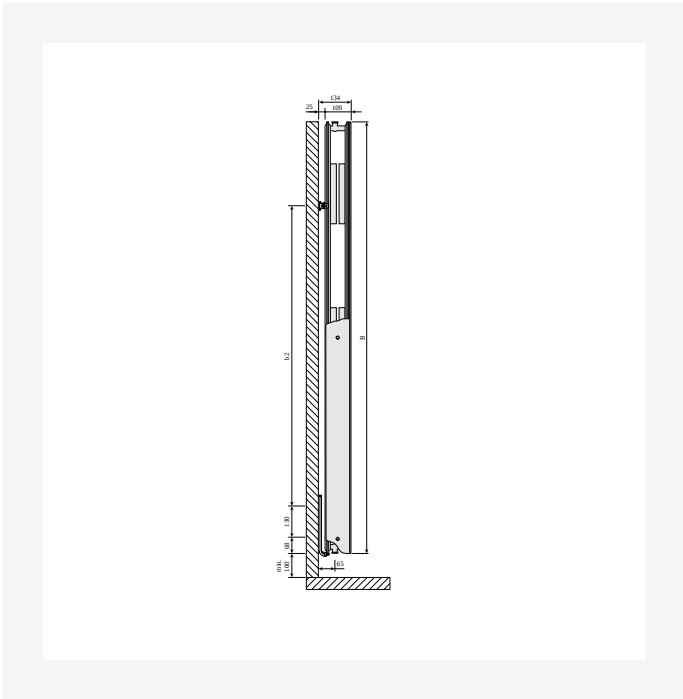


DimensionalDrawing - Kos V and Faro V, type 21, top view

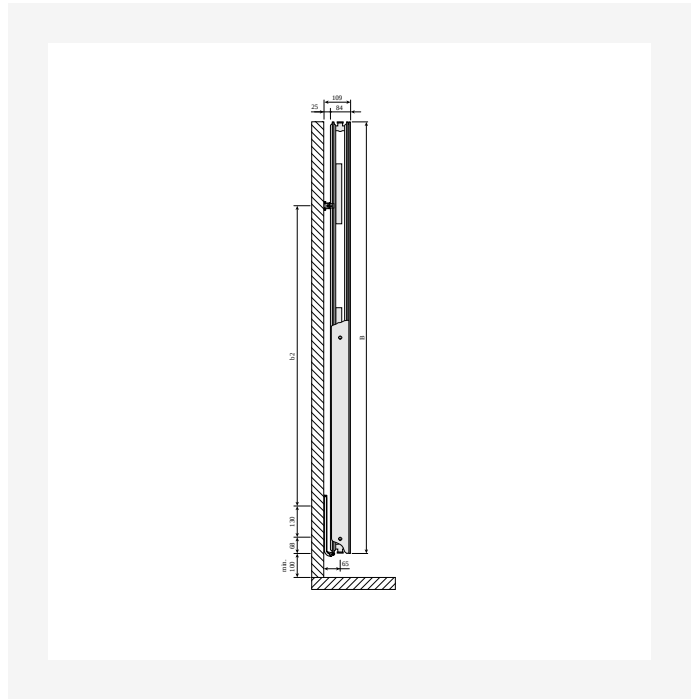
DimensionalDrawing - Kos V and Faro V type 20, top view



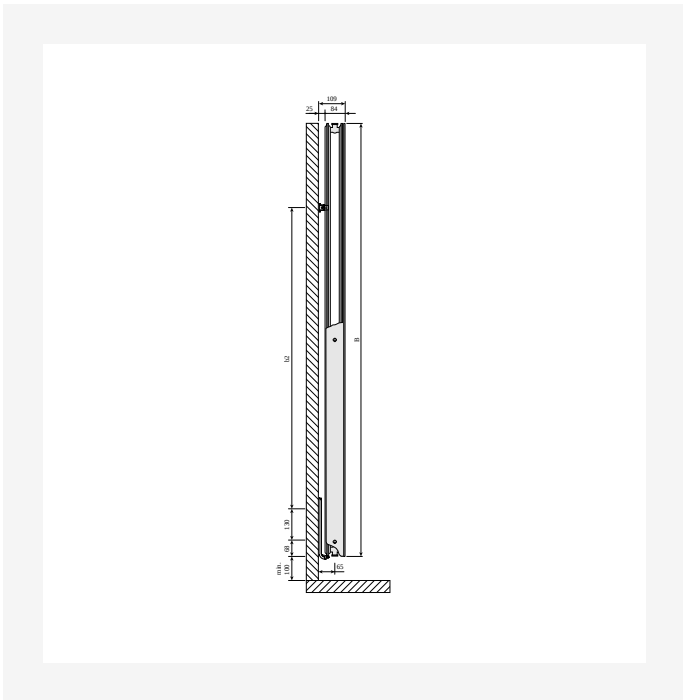
Resources



Dimensional Drawing - Kos V and Faro V type 22, side view



Dimensional Drawing - Kos V and Faro V type 21, side view



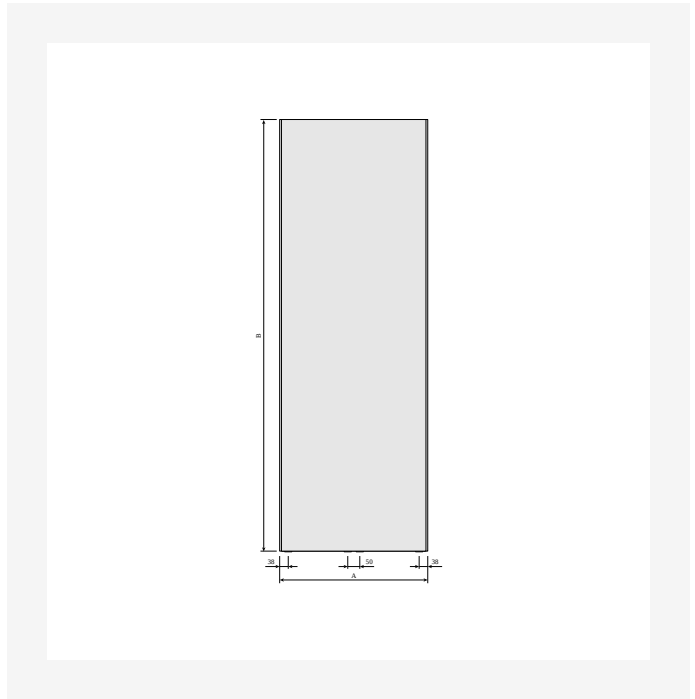
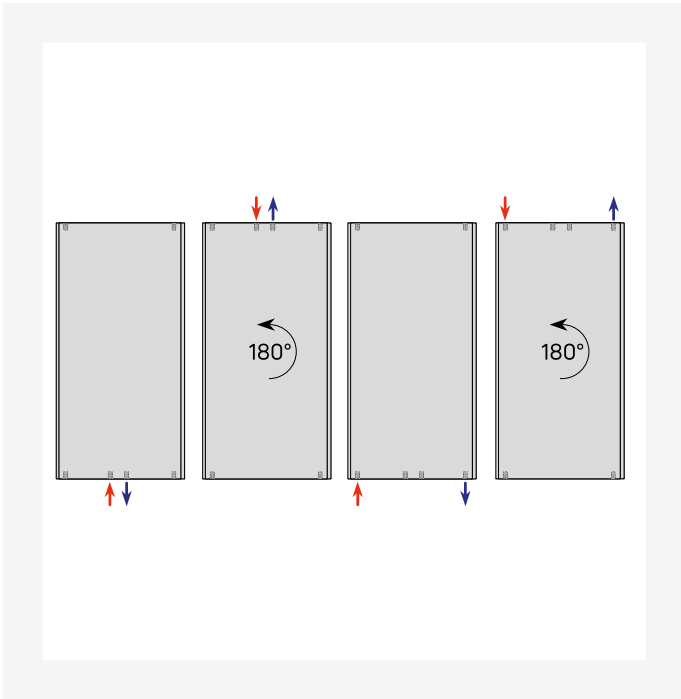
Dimensional Drawing - Kos V and Faro V type 20, side view

| KOS V (mm) | | | | |
|------------|-----|-----|-----|-----|
| A | 320 | 470 | 620 | 770 |
| a1 | 60 | 135 | 210 | 285 |
| a2 | 75 | 125 | 200 | 250 |

Dimensional Drawing - Kos V, Faro V - table A

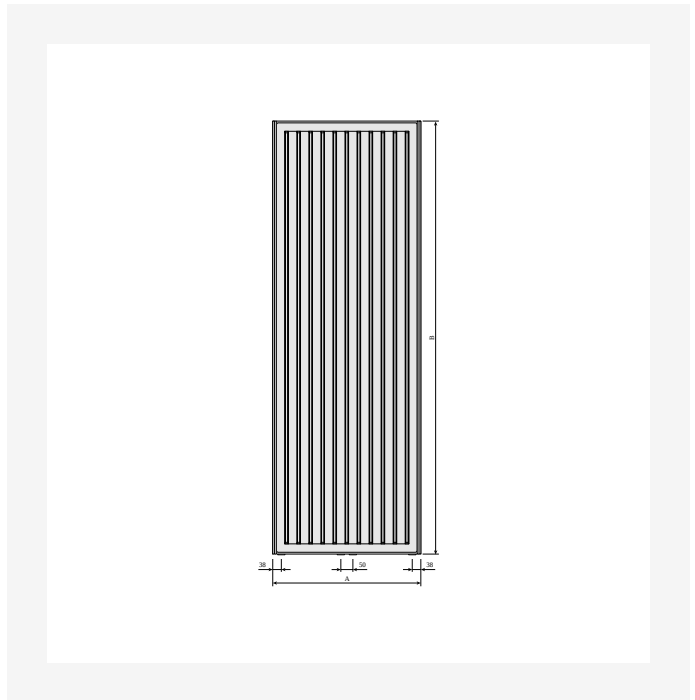
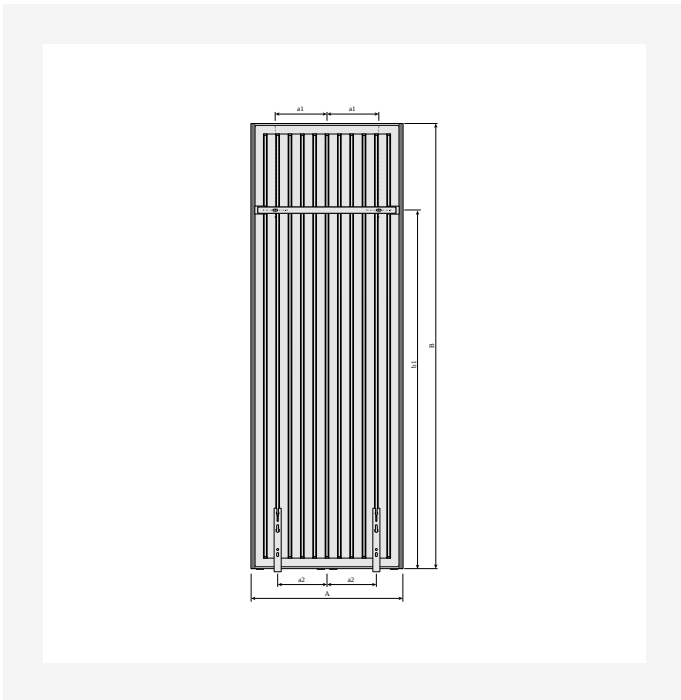


Resources



DimensionalDrawing - Verticals connection options

DimensionalDrawing - Kos V front view



DimensionalDrawing - Kos V and Faro V with MCWV wall brackets, back view

DimensionalDrawing - Kos V and Faro V back view



Resources

| KOS V (mm) | | | |
|------------|------|------|------|
| B | 1800 | 1950 | 2100 |
| b1 | 1450 | 1600 | 1750 |
| b2 | 1252 | 1402 | 1552 |

| KOS V (mm) | | | | |
|------------|------|------|------|------|
| B | 1500 | 1800 | 1950 | 2100 |
| b1 | 1150 | 1450 | 1600 | 1750 |
| b2 | 952 | 1252 | 1402 | 1552 |

DimensionalDrawing - Kos V, Faro V - table B - PL

DimensionalDrawing - Kos V, Faro V - table B



Related products



Plan Compact



Air Vent Key (Spare)



Valve Set Vertical



1800

| HEIGHT 1800 mm | LENGTH | DEPTH | ITEM NO | (Btu/H) 55/45/20°C | (Btu/H) 75/65/20°C | VOLUME (l) | N-EXPONENT | WEIGHT (kg) |
|----------------|--------|-------|-------------|--------------------|--------------------|------------|------------|-------------|
| Type 21 | | | | | | | | |
| 300 | 82 | | KOS180PX30G | 1689 | 3258 | 4.8 | 1.29 | 31.7 |
| 450 | 82 | | KOS180PX45G | 2443 | 4739 | 7.2 | 1.30 | 45.8 |
| 600 | 82 | | KOS180PX60G | 3173 | 6183 | 9.7 | 1.31 | 59.9 |
| 750 | 82 | | KOS180PX75G | 3886 | 7602 | 12.1 | 1.31 | 74.0 |
| Type 22 | | | | | | | | |
| 300 | 107 | | KOS180PD30G | 2020 | 3917 | 4.8 | 1.30 | 35.1 |
| 450 | 107 | | KOS180PD45G | 2979 | 5794 | 7.3 | 1.30 | 50.6 |
| 600 | 107 | | KOS180PD60G | 3920 | 7650 | 9.7 | 1.31 | 66.1 |
| 750 | 107 | | KOS180PD75G | 4848 | 9489 | 12.2 | 1.31 | 79.8 |



1950

| HEIGHT 1950 mm | LENGTH | DEPTH | ITEM NO | (Btu/H) 55/45/20°C | (Btu/H) 75/65/20°C | VOLUME (l) | N-EXPONENT | WEIGHT (kg) |
|----------------|--------|-------|-------------|--------------------|--------------------|------------|------------|-------------|
| Type 21 | | | | | | | | |
| 300 | 82 | | KOS195PX30G | 1778 | 3439 | 5.2 | 1.29 | 34.1 |
| 450 | 82 | | KOS195PX45G | 2579 | 5002 | 7.8 | 1.30 | 49.3 |
| 600 | 82 | | KOS195PX60G | 3361 | 6527 | 10.4 | 1.30 | 64.4 |
| 750 | 82 | | KOS195PX75G | 4118 | 8022 | 13.0 | 1.31 | 79.6 |
| Type 22 | | | | | | | | |
| 300 | 107 | | KOS195PD30G | 2129 | 4122 | 5.3 | 1.29 | 37.3 |
| 450 | 107 | | KOS195PD45G | 3142 | 6101 | 7.8 | 1.30 | 53.8 |
| 600 | 107 | | KOS195PD60G | 4139 | 8052 | 10.4 | 1.30 | 70.3 |
| 750 | 107 | | KOS195PD75G | 5118 | 9990 | 13.1 | 1.31 | 85.9 |