



Duomenų lapas

2026-04-26

Ventil Compact

Populiariausias klasikinio tipo plokštelinis radiatorius su apatiniu prijungimu.



- ✓ Lankstus montavimas
- ✓ Tvirta konstrukcija
- ✓ Didelis efektyvumas
- ✓ Dydžių įvairovė
- ✓ Lengva priežiūra

Ventil Compact — klasikinio tipo plokščiasis radiatorius su integruotu vožtuvu, skirtas vandens šildymo sistemoms; turi šoninius skydus, viršutinę grotelę, apatinį šoninį pajungimą, tiekiamas su laikikliais, kamščiu ir nuorintojimo vožtuvu.



Pritaikymo sritis

Radiatorius Ventil Compact idealiai tinka gyvenamiesiems ir komerciniams pastatams. Jis turi integruotus dviejų vamzdžių sistemos vožtuvus, leidžiančius šoninius (4 × G 1/2") ir apatinius (2 × G 1/2", 50 mm) prijungimus. Galimi aukščiai nuo 200 iki 900 mm ir ilgiai nuo 400 iki 3000 mm. Skirtas vandens šildymo sistemoms su darbinio slėgio riba iki 10 bar ir temperatūra iki 110°C.

Matmenų parinkimas

Norint užtikrinti teisingą produktų pasirinkimą, prašome naudoti mūsų skaičiavimo įrankius ir produktų bukletus. Jei reikia pagalbos, susisiekite su mūsų pardavimo komanda.

Naudojimas

Įsitinkink, kad visi sujungimai atitinka ISO 228 ir naudok pridėtą montavimo šabloną tiksliam atstumui nustatyti; hidraulinį balansavimą atlik su pateikta kv reguliacija; laikykitis montavimo nurodymų vienvamzdėms ir dviejų vamzdžių sistemoms.

AMA tekstas

Ventil Compact radiatorius su profiliuotais šildymo paviršiais ir konvekciniiais elementais turi šoninius panelius ir viršutinę grotelę. Pajungimas: du apatiniai ir keturi šoniniai G 1/2" vidinio sriegio prijungimai. Integruotas vožtuvo įdėklas su priešreguliavimu. Komplekte laikikliai, aklinas kamštis ir nuorinimo vožtuvas. Atitinka EN442-1 ir CE. Standartinė spalva RAL 9016; kitos – pagal užsakymą. Garantija 10 metų.



Specifikacijos

| SAVYBĖS | VIENETAS | REIŠMĖS |
|---|----------|-----------------|
| ETIM klasė | | EC011022 |
| Medžiaga | | Plienas |
| Tipas | | 11, 21, 22, 33 |
| Paviršiaus struktūra | | Profilis |
| Maks. darbinis slėgis | bar | 10 |
| Standartinių jungčių skaičius | | 2 |
| Šilumos atidavimas pagal pripažintą EN 442 laboratoriją | | Taip |
| Maksimali veikimo temperatūra | °C | 110 |
| Standartinė spalva | | Taip |
| Spalva | | Baltas |
| RAL numeris | | 9016 |
| Grotelės/Dangtelių plokštė | | Taip |
| Grotelės/Dangtelių plokštė | | Taip |
| Blizgesio vertė | | Blizgus |
| Srieginis matmuo (coliai) | | 1/2 colio |
| Jungties sriegis | | Vidinis sriegis |
| Su vieno taško jungtimi | | Taip |
| Su oro išleidimo jungtimi | | Taip |
| Su oro išleidimo vožtuvu/nuorintuvu | | Taip |
| Su išleidimo galimybe | | Taip |



Ištekliai



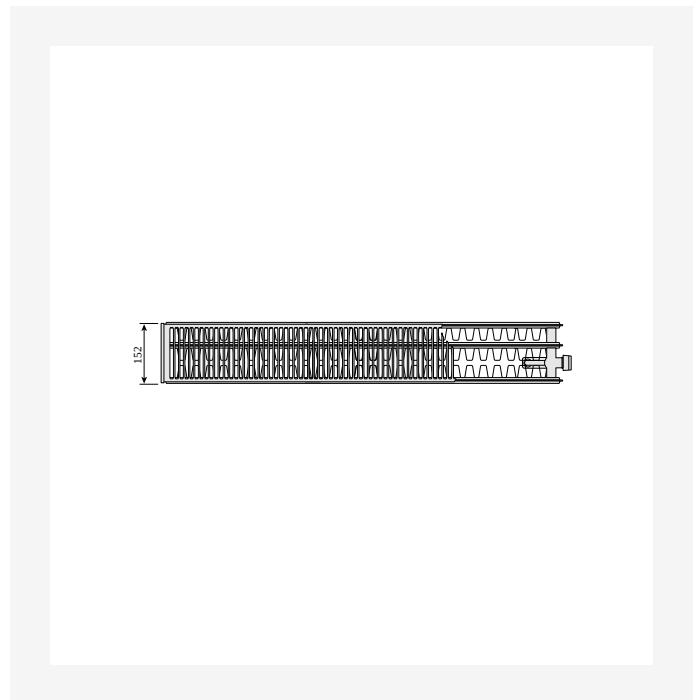
ProductImage - Panel radiator Ventil Compact, CV, detail.



ProductImage - Panel radiator Ventil Compact, CV.

| VENTIL COMPACT (mm) | | |
|---------------------|------|------|
| | CV11 | |
| A | a1 | a2 |
| 400-1600 | 117 | - |
| 1800 | 117 | 917 |
| 2000 | 117 | 1017 |
| 2300 | 117 | 1150 |
| 2600 | 117 | 1317 |
| 3000 | 117 | 1517 |

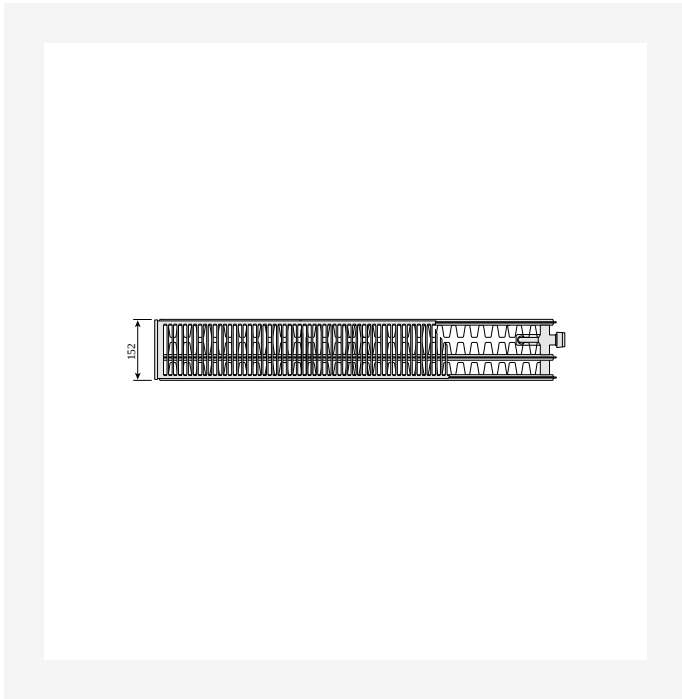
DimensionalDrawing - Ventil Compact, lentelės brėžinys A



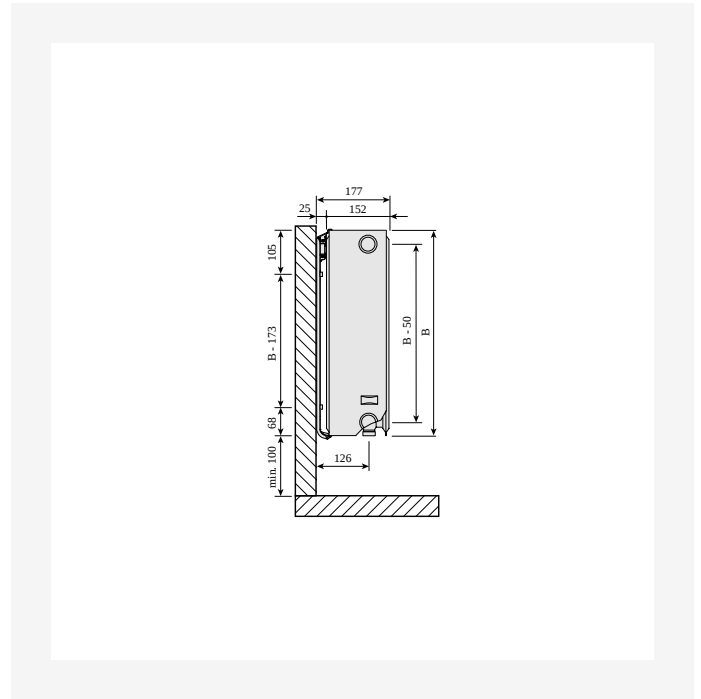
DimensionalDrawing - Ventil Compact, tipas 33, vaizdas iš viršaus



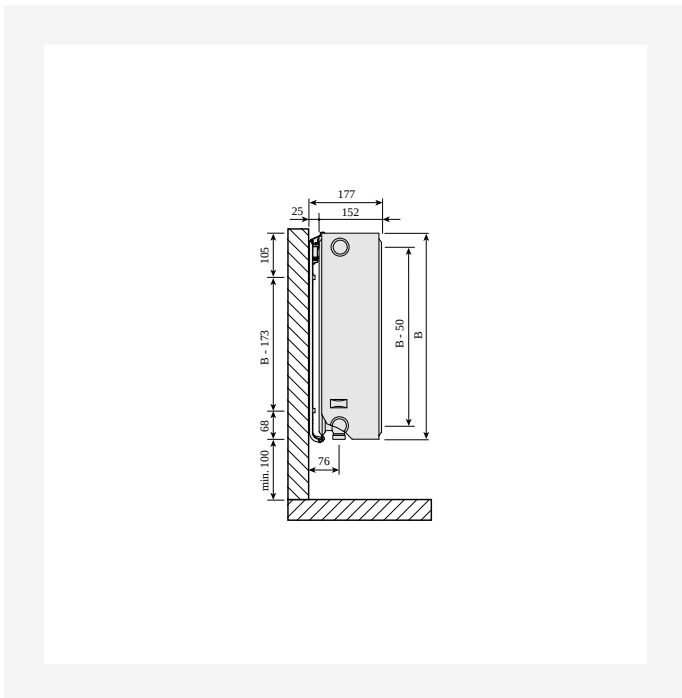
Ištekliai



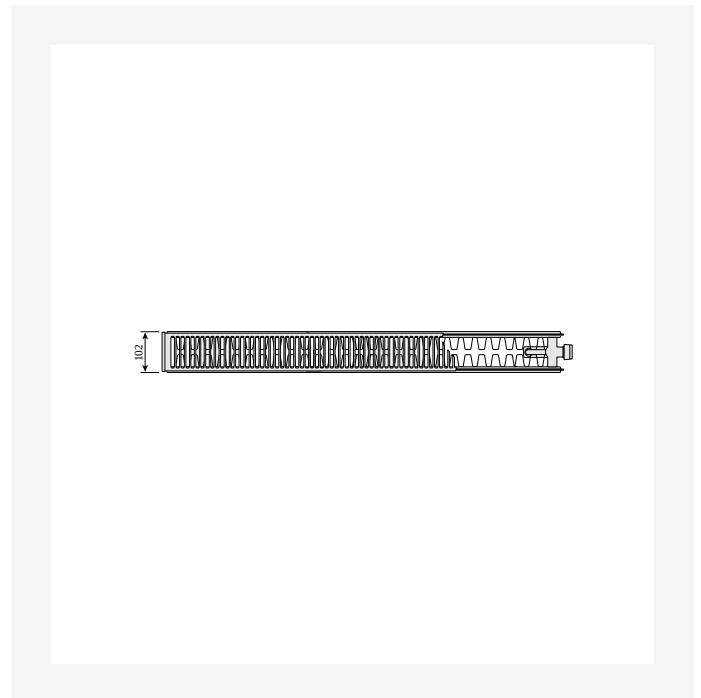
DimensionalDrawing - Ventil Compact, tipas 33, vaizdas iš viršaus



DimensionalDrawing - Ventil Compact, tipai 30, 33, vaizdas iš šono su Monclac sieniniais laikikliais



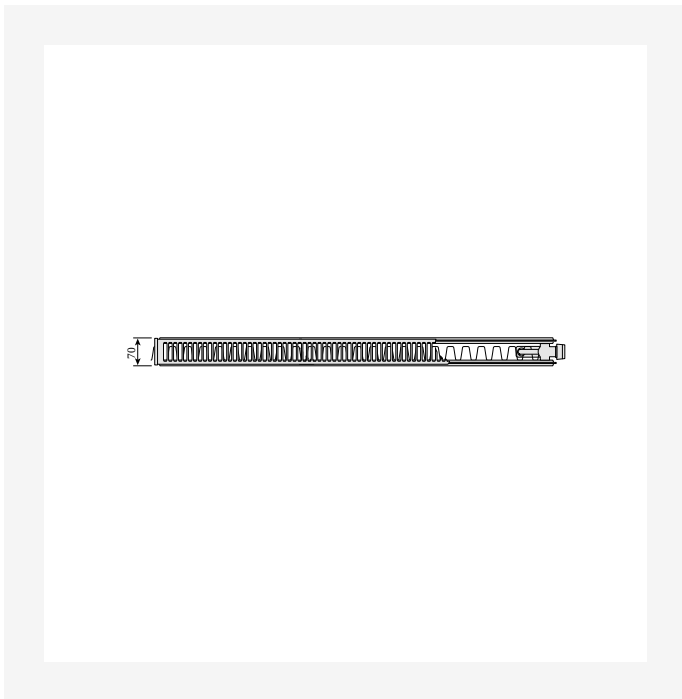
DimensionalDrawing - Ventil Compact, tipai 30, 33, vaizdas iš šono su Monclac sieniniais laikikliais



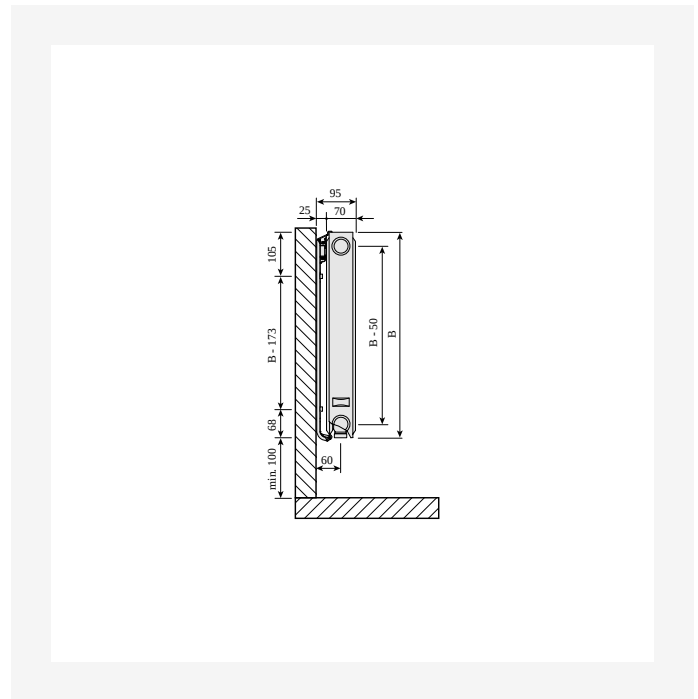
DimensionalDrawing - Ventil Compact, tipas 22, vaizdas iš viršaus



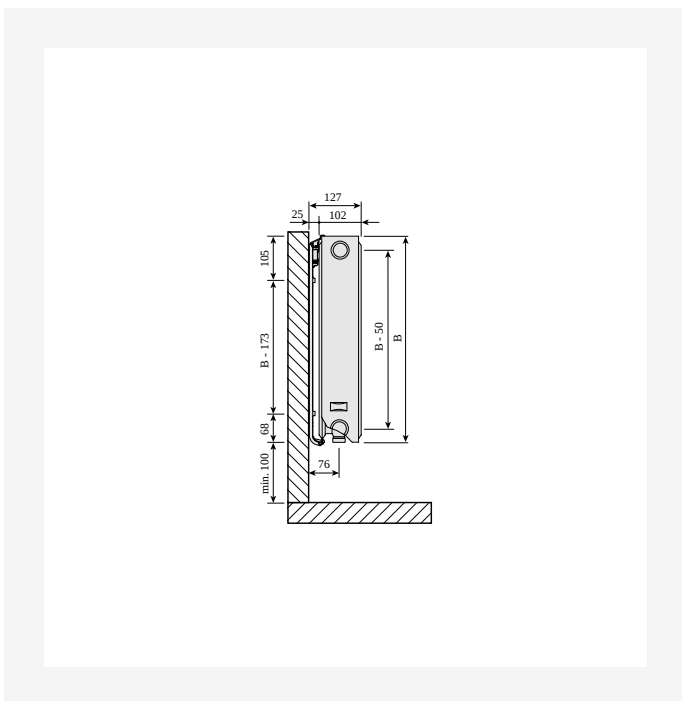
Ištekliai



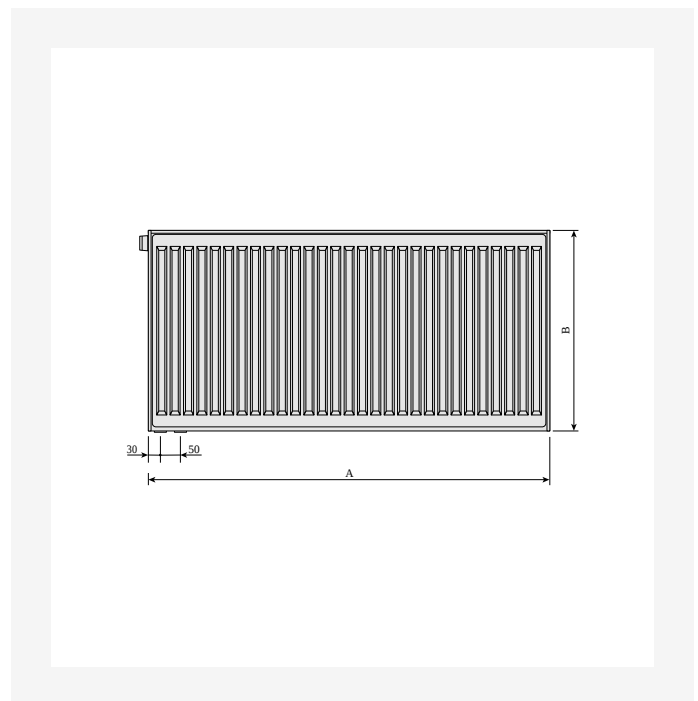
Dimensional Drawing - Ventil Compact, tipas 21s, vaizdas iš viršaus



Dimensional Drawing - Ventil Compact, type 21s, vaizdas iš šono su Monclac sieniniais laikikliais



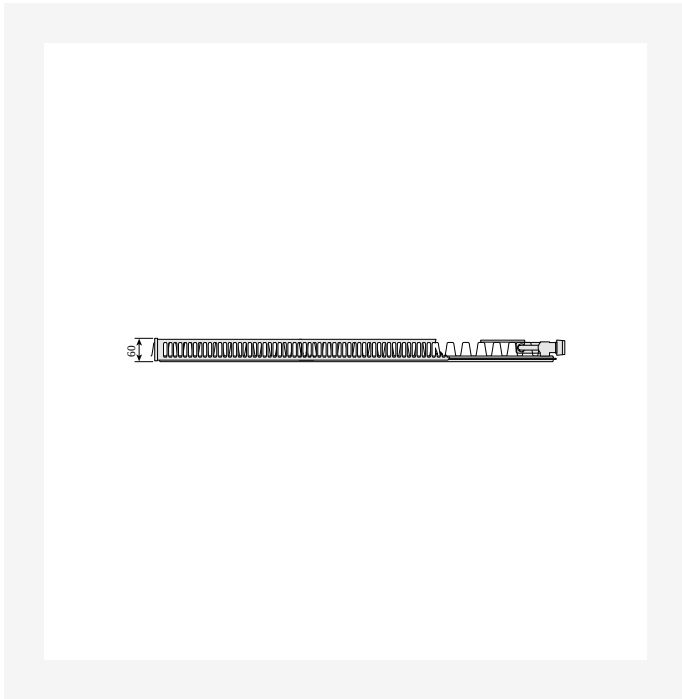
Dimensional Drawing - Ventil Compact, tipai 20, 22, vaizdas iš šono su Monclac sieniniais laikikliais



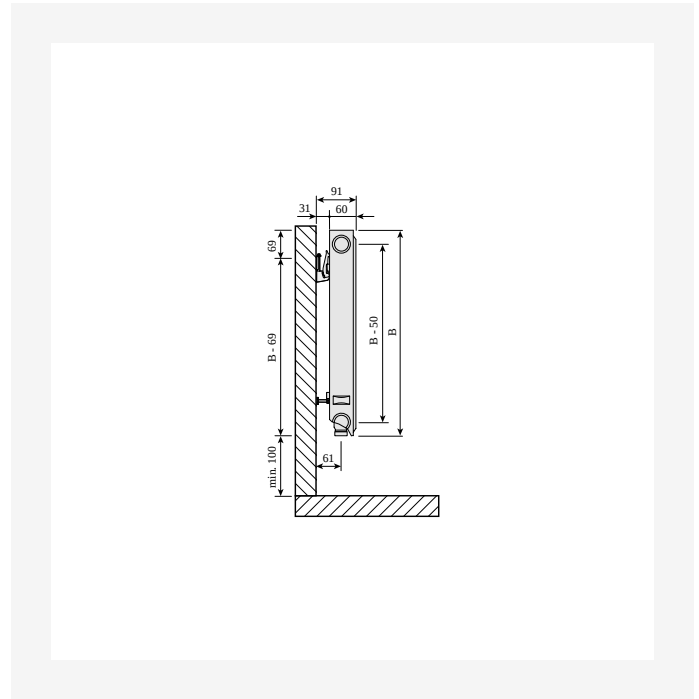
Dimensional Drawing - Ventil Compact, tipai 20, 21s, 22, 30, 33, vaizdas iš galo



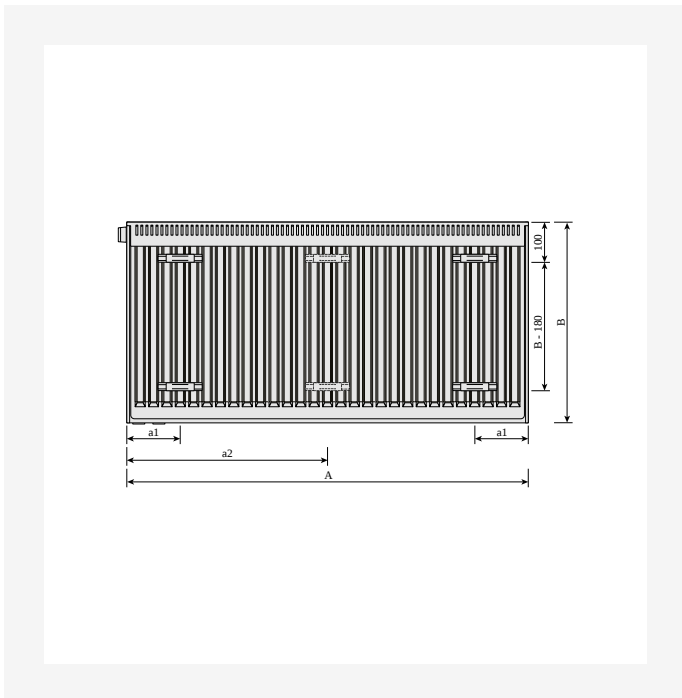
Ištekliai



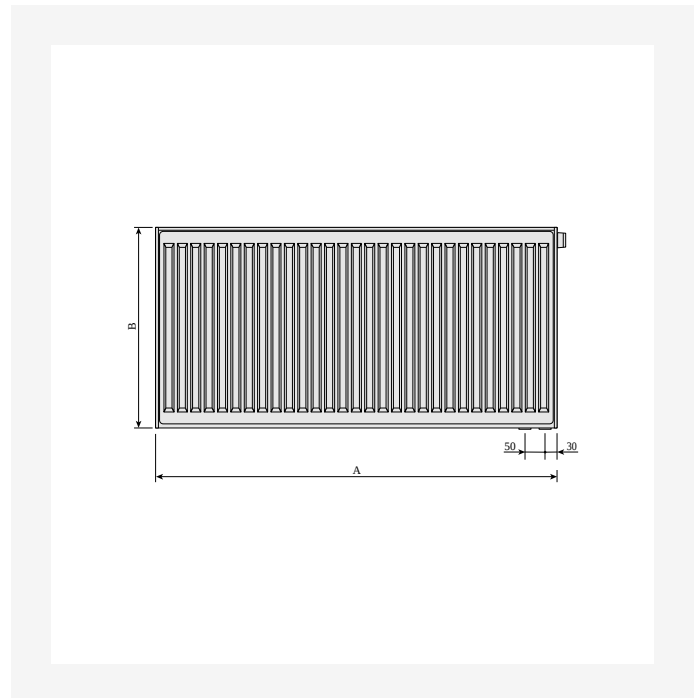
DimensionalDrawing - Ventil Compact, type 11, vaizdas iš viršaus



DimensionalDrawing - Ventil Compact, type 11, vaizdas iš šono su SSMS sieniniais laikikliais



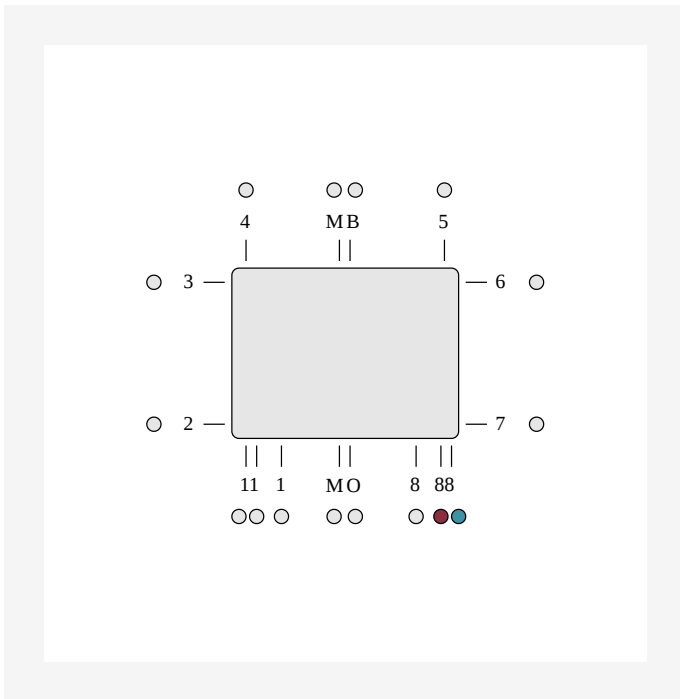
DimensionalDrawing - Compact Ventil Flex, tipas 11, vaizdas iš galo



DimensionalDrawing - Ventil Compact, vaizdas iš priekio



Ištekliai



DimensionalDrawing - ETIM 88 LR apatinė jungtis. Apatinė jungtis su integruotu vožtuvu reikalauja naudoti vožtuvo įdėklą. Nenaudojamos jungtys yra uždaromos.



Susiję produktai





300

| AUKŠTIS 300 mm | ILGIS | GYLIS | | Galia (W) 45/35/20°C | Galia (W) 55/45/20°C | Galia (W) 60/45/20°C | TŪRIS (l) | N- eksponentas | SVORIS (kg) |
|-------------------|-------|------------------|------------------|-------------------------|-------------------------|-------------------------|--------------|-------------------|----------------|
| Tipas 11 | | | | | | | | | |
| 400 | 60 | | F071103004010310 | 65 | 113 | 122 | 0.7 | 1.30 | 4.4 |
| 500 | 60 | | F071103005010300 | 81 | 141 | 152 | 0.8 | 1.30 | 5.2 |
| 700 | 60 | | F071103007010300 | 113 | 197 | 213 | 1.2 | 1.30 | 6.8 |
| 800 | 60 | | F071103008010300 | 129 | 225 | 244 | 1.4 | 1.30 | 7.6 |
| 900 | 60 | | F071103009010300 | 146 | 253 | 274 | 1.5 | 1.30 | 8.3 |
| 1000 | 60 | | F071103010010310 | 162 | 281 | 305 | 1.7 | 1.30 | 9.1 |
| 1200 | 60 | F071103012010310 | F071103012010300 | 194 | 338 | 366 | 2.0 | 1.30 | 1.7 |
| 1400 | 60 | | F071103014010300 | 226 | 394 | 427 | 2.4 | 1.30 | 12.2 |
| 1600 | 60 | | F071103016010300 | 259 | 450 | 488 | 2.7 | 1.30 | 13.8 |
| 1800 | 60 | | F071103018010300 | 291 | 506 | 549 | 3.1 | 1.30 | 15.4 |
| 2000 | 60 | F071103020010310 | F071103020010300 | 323 | 563 | 610 | 3.4 | 1.30 | 16.9 |
| 2600 | 60 | | F071103026010310 | 420 | 731 | 792 | 4.4 | 1.30 | 21.6 |
| 3000 | 60 | | F071103030010310 | 485 | 844 | 914 | 5.1 | 1.30 | 24.7 |
| Tipas 21 | | | | | | | | | |
| 400 | 70 | | F072103004011300 | 92 | 158 | 171 | 1.4 | 1.28 | 6.5 |
| 500 | 70 | | F072103005011300 | 115 | 198 | 214 | 1.7 | 1.28 | 7.7 |
| 1000 | 70 | | F072103010011300 | 229 | 396 | 428 | 3.4 | 1.28 | 13.9 |
| 1100 | 70 | | F072103011011300 | 252 | 435 | 471 | 3.7 | 1.28 | 15.1 |
| 1200 | 70 | | F072103012011300 | 275 | 475 | 514 | 4.1 | 1.28 | 16.3 |
| 1400 | 70 | | F072103014011300 | 321 | 554 | 600 | 4.8 | 1.28 | 18.8 |
| 1800 | 70 | | F072103018011300 | 412 | 712 | 771 | 6.1 | 1.28 | 23.7 |
| 3000 | 70 | | F072103030011300 | 687 | 1187 | 1285 | 10.2 | 1.28 | 38.5 |
| Tipas 22 | | | | | | | | | |



300

| AUKŠTIS 300 mm | ILGIS | GYLIS | | Galia (W) 45/35/20°C | Galia (W) 55/45/20°C | Galia (W) 60/45/20°C | TŪRIS (l) | N- eksponentas | SVORIS (kg) |
|-------------------|-------|-------|-----------------------------------|-------------------------|-------------------------|-------------------------|--------------|-------------------|----------------|
| | 400 | 102 | F072203004011300 | 113 | 197 | 213 | 1.4 | 1.31 | 7.4 |
| | 600 | 102 | F072203006011300 | 169 | 295 | 320 | 2.0 | 1.31 | 1.2 |
| | 700 | 102 | F072203007011300 | 197 | 345 | 374 | 2.4 | 1.31 | 11.6 |
| | 900 | 102 | F072203009011300 | 253 | 443 | 480 | 3.1 | 1.31 | 14.3 |
| | 1100 | 102 | F072203011011300 | 310 | 542 | 587 | 3.7 | 1.31 | 17.1 |
| | 1800 | 102 | F072203018011300 | 507 | 886 | 961 | 6.1 | 1.31 | 26.8 |
| Tipas 33 | | | | | | | | | |
| | 400 | 152 | F073303004011310 | 157 | 275 | 299 | 2.0 | 1.31 | 1.5 |
| | 500 | 152 | F073303005011310 F073303005011300 | 196 | 344 | 373 | 2.5 | 1.31 | 12.6 |
| | 600 | 152 | F073303006011310 | 236 | 413 | 448 | 3.1 | 1.31 | 14.7 |
| | 900 | 152 | F073303009011300 | 354 | 620 | 672 | 4.6 | 1.31 | 3.0 |
| | 1000 | 152 | F073303010011310 F073303010011300 | 393 | 688 | 747 | 5.1 | 1.31 | 23.8 |
| | 1400 | 152 | F073303014011310 | 550 | 964 | 1045 | 7.1 | 1.31 | 31.4 |
| | 1800 | 152 | F073303018011300 | 707 | 1239 | 1344 | 9.2 | 1.31 | 39.8 |
| | 2000 | 152 | F073303020011310 | 786 | 1377 | 1493 | 10.2 | 1.31 | 44.0 |
| | 3000 | 152 | F073303030011300 | 1179 | 2065 | 2240 | 15.3 | 1.31 | 64.9 |



400

| AUKŠTIS 400 mm | ILGIS | GYLIS | | Galia (W) 45/35/20°C | Galia (W) 55/45/20°C | Galia (W) 60/45/20°C | TŪRIS (l) | N- eksponentas | SVORIS (kg) |
|-------------------|-------|------------------|------------------|-------------------------|-------------------------|-------------------------|--------------|-------------------|----------------|
| Tipas 11 | | | | | | | | | |
| 400 | 60 | F071104004010310 | F071104004010300 | 84 | 146 | 158 | 0.9 | 1.30 | 5.6 |
| 600 | 60 | F071104006010300 | | 126 | 219 | 238 | 1.3 | 1.30 | 7.8 |
| 800 | 60 | F071104008010300 | | 168 | 292 | 317 | 1.8 | 1.30 | 10.2 |
| 900 | 60 | F071104009010310 | | 189 | 329 | 356 | 2.0 | 1.30 | 1.9 |
| 1000 | 60 | F071104010010310 | F071104010010300 | 210 | 366 | 396 | 2.2 | 1.30 | 12.0 |
| 1100 | 60 | F071104011010300 | | 231 | 402 | 436 | 2.4 | 1.30 | 13.5 |
| 1200 | 60 | F071104012010310 | F071104012010300 | 252 | 439 | 475 | 2.6 | 1.30 | 14.1 |
| 1400 | 60 | F071104014010310 | | 294 | 512 | 555 | 3.1 | 1.30 | 16.3 |
| 1600 | 60 | F071104016010310 | | 335 | 585 | 634 | 3.5 | 1.30 | 18.4 |
| 1800 | 60 | F071104018010300 | | 377 | 658 | 713 | 4.0 | 1.30 | 2.5 |
| 2000 | 60 | F071104020010300 | | 419 | 731 | 792 | 4.4 | 1.30 | 22.7 |
| 2300 | 60 | F071104023010310 | | 482 | 841 | 911 | 5.1 | 1.30 | 25.9 |
| 2600 | 60 | F071104026010300 | | 545 | 950 | 1030 | 5.7 | 1.30 | 29.7 |
| Tipas 21 | | | | | | | | | |
| 400 | 70 | F072104004011300 | | 115 | 199 | 215 | 1.8 | 1.29 | 8.4 |
| 900 | 70 | F072104009011300 | | 258 | 448 | 485 | 4.0 | 1.29 | 16.6 |
| 1000 | 70 | F072104010011300 | | 286 | 497 | 539 | 4.5 | 1.29 | 18.3 |
| 2600 | 70 | F072104026011300 | | 744 | 1293 | 1400 | 11.7 | 1.29 | 44.5 |
| Tipas 22 | | | | | | | | | |
| 400 | 102 | F072204004011300 | | 142 | 249 | 270 | 1.8 | 1.32 | 9.6 |
| 600 | 102 | F072204006011300 | | 213 | 374 | 405 | 2.7 | 1.32 | 13.4 |
| 700 | 102 | F072204007011300 | | 248 | 436 | 473 | 3.1 | 1.32 | 15.3 |
| 800 | 102 | F072204008011300 | | 284 | 498 | 540 | 3.6 | 1.32 | 17.2 |
| 1100 | 102 | F072204011011300 | | 390 | 685 | 743 | 5.0 | 1.32 | 22.9 |



400

| AUKŠTIS 400 mm | ILGIS | GYLIS | | Galia (W) 45/35/20°C | Galia (W) 55/45/20°C | Galia (W) 60/45/20°C | TŪRIS (l) | N- eksponentas | SVORIS (kg) |
|-------------------|-------|-------|-----------------------------------|-------------------------|-------------------------|-------------------------|--------------|-------------------|----------------|
| | 1800 | 102 | F072204018011300 | 639 | 1121 | 1216 | 8.1 | 1.32 | 36.3 |
| | 2300 | 102 | F072204023011300 | 816 | 1432 | 1554 | 10.3 | 1.32 | 45.7 |
| Tipas 33 | | | | | | | | | |
| | 400 | 152 | F073304004011310 F073304004011300 | 196 | 345 | 375 | 2.7 | 1.33 | 13.8 |
| | 500 | 152 | F073304005011310 | 245 | 432 | 468 | 3.4 | 1.33 | 16.6 |
| | 600 | 152 | F073304006011310 F073304006011300 | 294 | 518 | 562 | 4.0 | 1.33 | 19.4 |
| | 700 | 152 | F073304007011310 | 343 | 604 | 656 | 4.7 | 1.33 | 22.3 |
| | 900 | 152 | F073304009011310 | 441 | 777 | 843 | 6.0 | 1.33 | 27.9 |
| | 1000 | 152 | F073304010011300 | 490 | 863 | 937 | 6.7 | 1.33 | 3.7 |
| | 1100 | 152 | F073304011011310 | 539 | 950 | 1031 | 7.4 | 1.33 | 33.6 |
| | 2000 | 152 | F073304020011300 | 981 | 1726 | 1874 | 13.4 | 1.33 | 59.0 |
| | 2300 | 152 | F073304023011310 | 1128 | 1985 | 2155 | 15.4 | 1.33 | 67.4 |
| | 3000 | 152 | F073304030011310 F073304030011300 | 1471 | 2590 | 2811 | 20.1 | 1.33 | 87.2 |



450

| AUKŠTIS 450 mm | ILGIS | GYLIS | | Galia (W) 45/35/20°C | Galia (W) 55/45/20°C | Galia (W) 60/45/20°C | TŪRIS (l) | N- eksponentas | SVORIS (kg) |
|-------------------|-------|-------|-----------------------------------|-------------------------|-------------------------|-------------------------|--------------|-------------------|----------------|
| Tipas 11 | | | | | | | | | |
| | 400 | 60 | F071104504010300 | 93 | 162 | 176 | 1.0 | 1.30 | 6.4 |
| | 500 | 60 | F071104505010310 | 116 | 203 | 220 | 1.3 | 1.30 | 7.7 |
| | 700 | 60 | F071104507010310 | 163 | 284 | 308 | 1.8 | 1.30 | 1.3 |
| | 800 | 60 | F071104508010310 F071104508010300 | 186 | 325 | 352 | 2.0 | 1.30 | 11.5 |
| | 1200 | 60 | F071104512010300 | 279 | 487 | 528 | 3.0 | 1.30 | 16.6 |
| | 2000 | 60 | F071104520010300 | 465 | 811 | 879 | 5.0 | 1.30 | 26.8 |
| | 3000 | 60 | F071104530010310 F071104530010300 | 697 | 1217 | 1319 | 7.5 | 1.30 | 39.5 |
| Tipas 21 | | | | | | | | | |
| | 800 | 70 | F072104508011300 | 250 | 436 | 473 | 4.0 | 1.30 | 17.7 |
| | 1000 | 70 | F072104510011300 | 313 | 545 | 591 | 5.0 | 1.30 | 21.7 |
| | 1800 | 70 | F072104518011300 | 564 | 982 | 1064 | 9.0 | 1.30 | 37.4 |
| | 2600 | 70 | F072104526011300 | 814 | 1418 | 1537 | 13.0 | 1.30 | 53.2 |
| | 3000 | 70 | F072104530011300 | 939 | 1636 | 1773 | 15.0 | 1.30 | 61.1 |
| Tipas 22 | | | | | | | | | |
| | 400 | 102 | F072204504011300 | 156 | 274 | 297 | 2.0 | 1.32 | 11.2 |
| | 500 | 102 | F072204505011300 | 195 | 343 | 372 | 2.5 | 1.32 | 13.4 |
| | 600 | 102 | F072204506011300 | 234 | 411 | 446 | 3.0 | 1.32 | 15.7 |
| | 1000 | 102 | F072204510011300 | 390 | 685 | 744 | 5.0 | 1.32 | 24.7 |
| | 1600 | 102 | F072204516011300 | 624 | 1097 | 1190 | 8.0 | 1.32 | 38.2 |
| | 2000 | 102 | F072204520011300 | 780 | 1371 | 1487 | 10.0 | 1.32 | 47.3 |
| | 2600 | 102 | F072204526011300 | 1014 | 1782 | 1934 | 13.0 | 1.32 | 6.8 |
| | 3000 | 102 | F072204530011300 | 1169 | 2056 | 2231 | 15.0 | 1.32 | 69.8 |
| Tipas 33 | | | | | | | | | |
| | 500 | 152 | F073304505011310 | 268 | 473 | 514 | 3.8 | 1.33 | 19.3 |



450

| AUKŠTIS 450 mm | ILGIS | GYLIS | | Galia (W) 45/35/20°C | Galia (W) 55/45/20°C | Galia (W) 60/45/20°C | TŪRIS (l) | N- eksponentas | SVORIS (kg) |
|-------------------|-------|------------------|------------------|-------------------------|-------------------------|-------------------------|--------------|-------------------|----------------|
| 800 | 152 | F073304508011310 | F073304508011300 | 429 | 757 | 822 | 6.0 | 1.33 | 29.6 |
| 900 | 152 | | F073304509011310 | 483 | 852 | 925 | 6.8 | 1.33 | 33.2 |
| 1000 | 152 | | F073304510011310 | 536 | 947 | 1028 | 7.5 | 1.33 | 36.4 |
| 1200 | 152 | | F073304512011310 | 644 | 1136 | 1233 | 9.0 | 1.33 | 43.3 |
| 1400 | 152 | | F073304514011310 | 751 | 1326 | 1439 | 10.5 | 1.33 | 5.2 |
| 1800 | 152 | | F073304518011310 | 966 | 1704 | 1850 | 13.5 | 1.33 | 63.9 |
| 2300 | 152 | F073304523011310 | F073304523011300 | 1234 | 2178 | 2364 | 17.3 | 1.33 | 9.0 |
| 3000 | 152 | | F073304530011300 | 1609 | 2840 | 3084 | 22.5 | 1.33 | 109.2 |



500

| AUKŠTIS 500 mm | ILGIS | GYLIS | | Galia (W) 45/35/20°C | Galia (W) 55/45/20°C | Galia (W) 60/45/20°C | TŪRIS (l) | N- eksponentas | SVORIS (kg) |
|-------------------|-------|-------|-----------------------------------|-------------------------|-------------------------|-------------------------|--------------|-------------------|----------------|
| Tipas 11 | | | | | | | | | |
| | 400 | 60 | F071105004010310 | 102 | 178 | 193 | 1.1 | 1.31 | 6.9 |
| | 600 | 60 | F071105006010300 | 153 | 267 | 290 | 1.6 | 1.31 | 9.5 |
| | 700 | 60 | F071105007010310 F071105007010300 | 178 | 312 | 338 | 1.9 | 1.31 | 1.8 |
| | 900 | 60 | F071105009010310 F071105009010300 | 229 | 401 | 434 | 2.4 | 1.31 | 13.4 |
| | 1200 | 60 | F071105012010300 | 306 | 534 | 579 | 3.2 | 1.31 | 17.4 |
| | 1400 | 60 | F071105014010310 F071105014010300 | 357 | 623 | 676 | 3.8 | 1.31 | 20.0 |
| | 2000 | 60 | F071105020010310 | 510 | 890 | 965 | 5.4 | 1.31 | 27.8 |
| | 2300 | 60 | F071105023010310 | 586 | 1024 | 1110 | 6.2 | 1.31 | 31.8 |
| | 2600 | 60 | F071105026010300 | 663 | 1158 | 1255 | 7.0 | 1.31 | 35.7 |
| | 3000 | 60 | F071105030010310 F071105030010300 | 765 | 1336 | 1448 | 8.1 | 1.31 | 4.9 |
| Tipas 21 | | | | | | | | | |
| | 400 | 70 | F072105004011300 | 136 | 237 | 257 | 2.2 | 1.31 | 1.8 |
| | 900 | 70 | F072105009011300 | 305 | 533 | 578 | 5.0 | 1.31 | 2.5 |
| | 1100 | 70 | F072105011011300 | 373 | 652 | 707 | 6.0 | 1.31 | 24.7 |
| | 1200 | 70 | F072105012011300 | 407 | 711 | 771 | 6.6 | 1.31 | 26.7 |
| | 1400 | 70 | F072105014011300 | 475 | 830 | 900 | 7.7 | 1.31 | 3.9 |
| | 2300 | 70 | F072105023011300 | 780 | 1363 | 1478 | 12.7 | 1.31 | 49.7 |
| | 2600 | 70 | F072105026011300 | 882 | 1541 | 1671 | 14.3 | 1.31 | 55.9 |
| | 3000 | 70 | F072105030011300 | 1018 | 1778 | 1928 | 16.5 | 1.31 | 64.2 |
| Tipas 22 | | | | | | | | | |
| | 500 | 102 | F072205005011300 | 212 | 373 | 405 | 2.8 | 1.33 | 14.2 |
| | 600 | 102 | F072205006011300 | 254 | 448 | 486 | 3.3 | 1.33 | 16.5 |
| | 700 | 102 | F072205007011300 | 297 | 522 | 567 | 3.9 | 1.33 | 19.0 |
| | 1200 | 102 | F072205012011300 | 508 | 896 | 972 | 6.6 | 1.33 | 3.7 |



500

| AUKŠTIS 500 mm | ILGIS | GYLIS | | Galia (W) 45/35/20°C | Galia (W) 55/45/20°C | Galia (W) 60/45/20°C | TŪRIS (l) | N- eksponentas | SVORIS (kg) |
|-------------------|-------|-------|-----------------------------------|-------------------------|-------------------------|-------------------------|--------------|-------------------|----------------|
| | 1800 | 102 | F072205018011300 | 763 | 1343 | 1458 | 9.9 | 1.33 | 44.9 |
| | 2000 | 102 | F072205020011300 | 847 | 1493 | 1620 | 11.0 | 1.33 | 49.7 |
| Tipas 33 | | | | | | | | | |
| | 400 | 152 | F073305004011310 | 232 | 411 | 447 | 3.3 | 1.34 | 16.9 |
| | 500 | 152 | F073305005011310 | 290 | 514 | 558 | 4.1 | 1.34 | 2.5 |
| | 600 | 152 | F073305006011310 | 349 | 617 | 670 | 4.9 | 1.34 | 24.1 |
| | 700 | 152 | F073305007011310 F073305007011300 | 407 | 719 | 781 | 5.7 | 1.34 | 27.7 |
| | 800 | 152 | F073305008011310 F073305008011300 | 465 | 822 | 893 | 6.6 | 1.34 | 31.3 |
| | 1600 | 152 | F073305016011300 | 930 | 1645 | 1786 | 13.1 | 1.34 | 6.3 |
| | 1800 | 152 | F073305018011310 | 1046 | 1850 | 2009 | 14.8 | 1.34 | 67.5 |
| | 2000 | 152 | F073305020011310 | 1162 | 2056 | 2233 | 16.4 | 1.34 | 74.8 |
| | 2600 | 152 | F073305026011310 | 1511 | 2672 | 2902 | 21.3 | 1.34 | 100.2 |



600

| AUKŠTIS 600 mm | ILGIS | GYLIS | | Galia (W) 45/35/20°C | Galia (W) 55/45/20°C | Galia (W) 60/45/20°C | TŪRIS (l) | N- eksponentas | SVORIS (kg) |
|-------------------|-------|-------|-----------------------------------|-------------------------|-------------------------|-------------------------|--------------|-------------------|----------------|
| Tipas 11 | | | | | | | | | |
| | 400 | 60 | F071106004010310 | 119 | 208 | 226 | 1.3 | 1.31 | 8.4 |
| | 500 | 60 | F071106005010300 | 149 | 260 | 282 | 1.6 | 1.31 | 10.0 |
| | 600 | 60 | F071106006010310 | 179 | 313 | 339 | 1.9 | 1.31 | 11.2 |
| | 700 | 60 | F071106007010300 | 208 | 365 | 395 | 2.2 | 1.31 | 12.8 |
| | 800 | 60 | F071106008010300 | 238 | 417 | 452 | 2.6 | 1.31 | 14.4 |
| | 1000 | 60 | F071106010010310 F071106010010300 | 298 | 521 | 565 | 3.2 | 1.31 | 17.6 |
| | 1100 | 60 | F071106011010310 F071106011010300 | 327 | 573 | 621 | 3.5 | 1.31 | 19.2 |
| | 1200 | 60 | F071106012010310 | 357 | 625 | 678 | 3.8 | 1.31 | 2.8 |
| | 1400 | 60 | F071106014010300 | 417 | 729 | 791 | 4.5 | 1.31 | 24.0 |
| | 1800 | 60 | F071106018010300 | 536 | 938 | 1017 | 5.8 | 1.31 | 3.3 |
| | 2000 | 60 | F071106020010310 | 595 | 1042 | 1130 | 6.4 | 1.31 | 33.5 |
| | 2300 | 60 | F071106023010310 | 685 | 1198 | 1299 | 7.4 | 1.31 | 38.3 |
| | 2600 | 60 | F071106026010310 | 774 | 1354 | 1469 | 8.3 | 1.31 | 43.6 |
| | 3000 | 60 | F071106030010300 | 893 | 1563 | 1695 | 9.6 | 1.31 | 49.4 |
| Tipas 21 | | | | | | | | | |
| | 400 | 70 | F072106004011300 | 155 | 273 | 296 | 2.6 | 1.32 | 12.2 |
| | 600 | 70 | F072106006011300 | 233 | 409 | 444 | 4.0 | 1.32 | 17.2 |
| | 700 | 70 | F072106007011300 | 272 | 478 | 518 | 4.6 | 1.32 | 19.7 |
| | 1100 | 70 | F072106011011300 | 427 | 751 | 814 | 7.3 | 1.32 | 29.7 |
| | 1200 | 70 | F072106012011300 | 466 | 819 | 888 | 7.9 | 1.32 | 32.2 |
| | 2000 | 70 | F072106020011300 | 777 | 1365 | 1481 | 13.2 | 1.32 | 52.3 |
| | 2300 | 70 | F072106023011300 | 893 | 1569 | 1703 | 15.2 | 1.32 | 59.8 |
| Tipas 22 | | | | | | | | | |
| | 400 | 102 | F072206004011300 | 195 | 346 | 375 | 2.6 | 1.34 | 14.1 |



600

| AUKŠTIS 600 mm | ILGIS | GYLIS | | Galia (W) 45/35/20°C | Galia (W) 55/45/20°C | Galia (W) 60/45/20°C | TŪRIS (l) | N- eksponentas | SVORIS (kg) |
|-------------------|-------|-------|-----------------------------------|-------------------------|-------------------------|-------------------------|--------------|-------------------|----------------|
| | 900 | 102 | F072206009011300 | 440 | 777 | 844 | 5.9 | 1.34 | 28.7 |
| | 1200 | 102 | F072206012011300 | 586 | 1037 | 1126 | 7.9 | 1.34 | 37.4 |
| | 1600 | 102 | F072206016011300 | 782 | 1382 | 1501 | 10.6 | 1.34 | 50.0 |
| | 1800 | 102 | F072206018011300 | 879 | 1555 | 1688 | 11.9 | 1.34 | 54.9 |
| | 2000 | 102 | F072206020011300 | 977 | 1728 | 1876 | 13.2 | 1.34 | 6.8 |
| | 3000 | 102 | F072206030011300 | 1465 | 2591 | 2814 | 19.8 | 1.34 | 89.9 |
| Tipas 33 | | | | | | | | | |
| | 600 | 152 | F073306006011300 | 399 | 710 | 771 | 5.9 | 1.35 | 28.9 |
| | 700 | 152 | F073306007011310 | 466 | 828 | 900 | 6.9 | 1.35 | 33.2 |
| | 800 | 152 | F073306008011310 F073306008011300 | 532 | 946 | 1029 | 7.8 | 1.35 | 37.5 |
| | 900 | 152 | F073306009011300 | 599 | 1065 | 1157 | 8.8 | 1.35 | 41.9 |
| | 1100 | 152 | F073306011011310 F073306011011300 | 732 | 1301 | 1414 | 10.8 | 1.35 | 5.5 |
| | 1200 | 152 | F073306012011300 | 798 | 1420 | 1543 | 11.8 | 1.35 | 54.9 |
| | 1600 | 152 | F073306016011300 | 1065 | 1893 | 2057 | 15.7 | 1.35 | 72.2 |
| | 2000 | 152 | F073306020011300 | 1331 | 2366 | 2571 | 19.6 | 1.35 | 89.5 |
| | 2300 | 152 | F073306023011310 | 1530 | 2721 | 2957 | 22.5 | 1.35 | 106.6 |
| | 2600 | 152 | F073306026011310 | 1730 | 3076 | 3343 | 25.5 | 1.35 | 115.5 |



900

| AUKŠTIS 900 mm | ILGIS | GYLIS | | Galia (W) 45/35/20°C | Galia (W) 55/45/20°C | Galia (W) 60/45/20°C | TŪRIS (l) | N- eksponentas | SVORIS (kg) |
|-------------------|-------|-------|-----------------------------------|-------------------------|-------------------------|-------------------------|--------------|-------------------|----------------|
| Tipas 11 | | | | | | | | | |
| | 400 | 60 | F071109004010310 F071109004010300 | 166 | 291 | 316 | 1.8 | 1.32 | 11.6 |
| | 900 | 60 | F071109009010310 F071109009010300 | 374 | 655 | 711 | 4.0 | 1.32 | 23.7 |
| | 1000 | 60 | F071109010010300 | 415 | 728 | 790 | 4.5 | 1.32 | 26.2 |
| | 1200 | 60 | F071109012010300 | 498 | 874 | 948 | 5.4 | 1.32 | 31.2 |
| | 1800 | 60 | F071109018010300 | 747 | 1311 | 1422 | 8.1 | 1.32 | 45.6 |
| | 2000 | 60 | F071109020010310 | 830 | 1456 | 1580 | 9.0 | 1.32 | 5.5 |
| | 2300 | 60 | F071109023010300 | 955 | 1675 | 1817 | 10.3 | 1.32 | 57.8 |
| | 2600 | 60 | F071109026010300 | 1079 | 1893 | 2054 | 11.7 | 1.32 | 65.6 |
| | 3000 | 60 | F071109030010300 | 1245 | 2185 | 2370 | 13.5 | 1.32 | 74.8 |
| Tipas 21 | | | | | | | | | |
| | 600 | 70 | F072109006011300 | 318 | 563 | 612 | 5.4 | 1.34 | 25.2 |
| | 1000 | 70 | F072109010011300 | 530 | 939 | 1020 | 9.0 | 1.34 | 4.6 |
| | 1100 | 70 | F072109011011300 | 583 | 1033 | 1122 | 9.9 | 1.34 | 44.4 |
| | 1200 | 70 | F072109012011300 | 636 | 1127 | 1224 | 10.8 | 1.34 | 48.2 |
| | 1400 | 70 | F072109014011300 | 742 | 1315 | 1428 | 12.6 | 1.34 | 55.9 |
| | 1600 | 70 | F072109016011300 | 849 | 1502 | 1632 | 14.4 | 1.34 | 63.6 |
| Tipas 22 | | | | | | | | | |
| | 400 | 102 | F072209004011300 | 268 | 478 | 520 | 3.6 | 1.36 | 2.4 |
| | 500 | 102 | F072209005011300 | 335 | 597 | 649 | 4.5 | 1.36 | 24.8 |
| | 800 | 102 | F072209008011300 | 536 | 956 | 1039 | 7.2 | 1.36 | 37.8 |
| | 1600 | 102 | F072209016011300 | 1072 | 1911 | 2078 | 14.4 | 1.36 | 72.4 |
| | 3000 | 102 | F072209030011300 | 2009 | 3583 | 3896 | 27.0 | 1.36 | 133.1 |
| Tipas 33 | | | | | | | | | |
| | 400 | 152 | F073309004011310 F073309004011300 | 364 | 651 | 708 | 5.3 | 1.36 | 29.7 |



900

| AUKŠTIS 900 mm | ILGIS | GYLIS | | Galia (W) 45/35/20°C | Galia (W) 55/45/20°C | Galia (W) 60/45/20°C | TŪRIS (l) | N- eksponentas | SVORIS (kg) |
|-------------------|-------|-------|-----------------------------------|-------------------------|-------------------------|-------------------------|--------------|-------------------|----------------|
| | 800 | 152 | F073309008011300 | 729 | 1302 | 1416 | 10.6 | 1.36 | 56.0 |
| | 900 | 152 | F073309009011310 | 820 | 1465 | 1593 | 12.0 | 1.36 | 62.6 |
| | 1000 | 152 | F073309010011310 | 911 | 1627 | 1770 | 13.3 | 1.36 | 69.1 |
| | 1100 | 152 | F073309011011310 F073309011011300 | 1002 | 1790 | 1947 | 14.6 | 1.36 | 75.7 |
| | 1200 | 152 | F073309012011300 | 1093 | 1953 | 2124 | 16.0 | 1.36 | 82.3 |
| | 1400 | 152 | F073309014011310 F073309014011300 | 1275 | 2278 | 2478 | 18.6 | 1.36 | 95.4 |
| | 2000 | 152 | F073309020011310 F073309020011300 | 1822 | 3255 | 3540 | 26.6 | 1.36 | 134.8 |
| | 2600 | 152 | F073309026011300 | 2368 | 4231 | 4602 | 34.6 | 1.36 | 174.2 |
| | 3000 | 152 | F073309030011310 | 2733 | 4882 | 5310 | 39.9 | 1.36 | 2.5 |