



Datu lapa

2026-05-18

Ramo Ventil Compact

Stilīgs paneļu radiators ar dekoratīvu priekšējo plātni un apakšējo pieslēgumu.



- Ⓚ Augsta veiktspēja
- Ⓚ Elastīga uzstādīšana
- Ⓚ Izturīgs materiāls
- Ⓚ Integrēts vārsts
- Ⓚ Elegants dizains

Ramo Ventil Compact ir tradicionāls paneļu radiators ar gludu priekšējo paneli, viegliem horizontāliem ieliekumiem un universālu dizainu; pieejams RAL 9016 un citos krāsu toņos pēc pasūtījuma.



Pielietojuma joma

Ramo Ventil Compact paredzēts slēgtām ūdens apkures sistēmām. Pieejamais augstums 200–900 mm, garums līdz 3000 mm. Darbojas 2-cauruļu konfigurācijā ar dažādām pieslēguma iespējām.

Dimensiju noteikšana

Lai nodrošinātu pareizu produktu izvēli, lūdzu, izmantojiet mūsu kalkulatoru rīkus un produktu bukletus. Ja nepieciešama palīdzība, sazinieties ar mūsu pārdošanas komandu.

Lietošana

Ramo Ventil Compact uzstādi saskaņā ar piegādātajām montāžas instrukcijām, izmantojot komplektā esošos

sienas stiprinājumus; pieslēdz centrālās apkures sistēmai ar integrētajiem vārstiem, pirms pirmās palaišanas piepildi un atgaiso radiatoru, lai novērstu gaisa kabatas; ikdienas apkope ietver vārstu pārbaudi un periodisku atgaisošanu optimālai veiktspējai.

AMA teksts

Ramo Ventil Compact radiators ar gludu priekšējo plātni un horizontālām ielocēm aprīkots ar sānu un apakšējiem pieslēgumiem (4×G 1/2" sānos, 2×G 1/2" apakšā). Apakšējais pieslēgums nodrošina diskrētu cauruļu novietojumu. Radiators aprīkots ar vārsta ieliktni ar priekšiestatījumu. Komplektā stiprinājumi, aizbāžņi un atgaisošanas vārsts. Standarta krāsa RAL 9016; citi toņi pēc pieprasījuma. Garantija 10 gadi.



Specifikācijas

ĪPAŠĪBAS	VIENĪBA	VĒRTĪBAS
ETIM klase		EC011022
Materiāls		Tērauds
Tips		11, 21, 22, 33
Virsmas struktūra		Līdzens gluds
Maks. darba spiediens	bar	10
Standarta pieslēgumu skaits		2
Siltuma atdeve pēc EN 442 atzītas laboratorijas		Jā
Maksimālā darbības temperatūra	°C	110
Standarta krāsa		Jā
Krāsa		Balts
RAL numurs		9016
Restes/Vāka plāksne		Jā
Restes/Vāka plāksne		Jā
Spīduma vērtība		Spīdīgs
Vītnes izmērs (collas)		1/2 inch
Pieslēguma vītne		Iekšējā vītne
Ar vienpunkta pieslēgumu		Jā
Ar ventilācijas pieslēgumu		Jā
Ar ventilācijas vārstu/gaisa atgaisotāju		Jā
Ar iztukšošanas iespēju		Jā



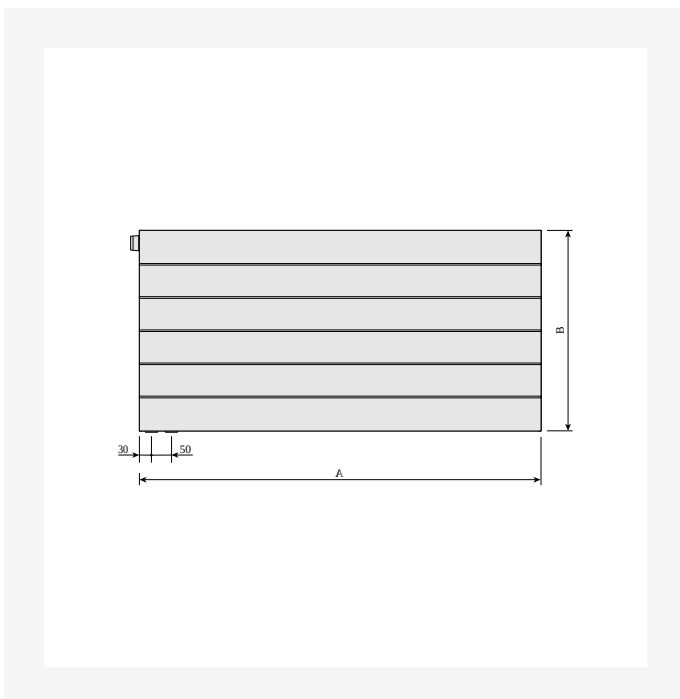
Resursi



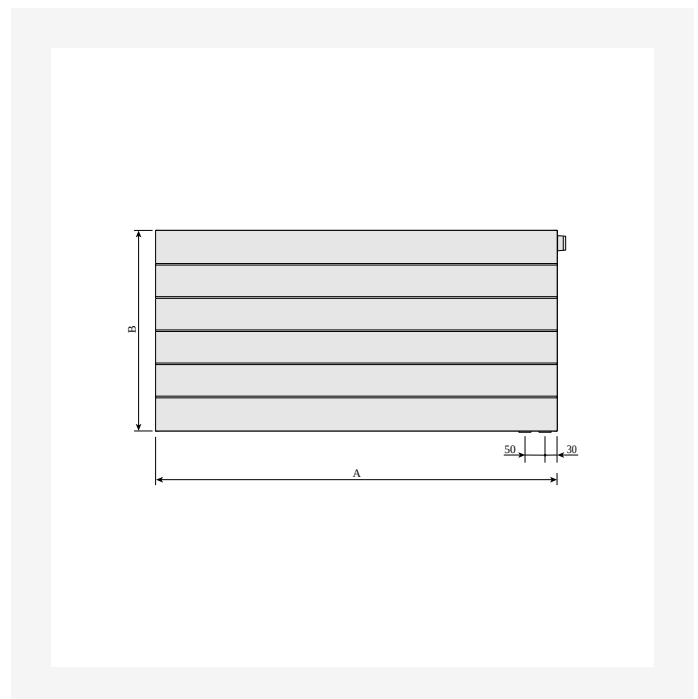
ProductImage - Panel radiator Ramo Ventil Compact, RCV.

RAMO VENTIL COMPACT (mm)		
	RCV11	
A	a1	a2
400-1600	117	-
1800	117	917
2000	117	1017
2300	117	1150
2600	117	1317
3000	117	1517

DimensionalDrawing - Ramo Ventil Compact, tabulas rasējums A



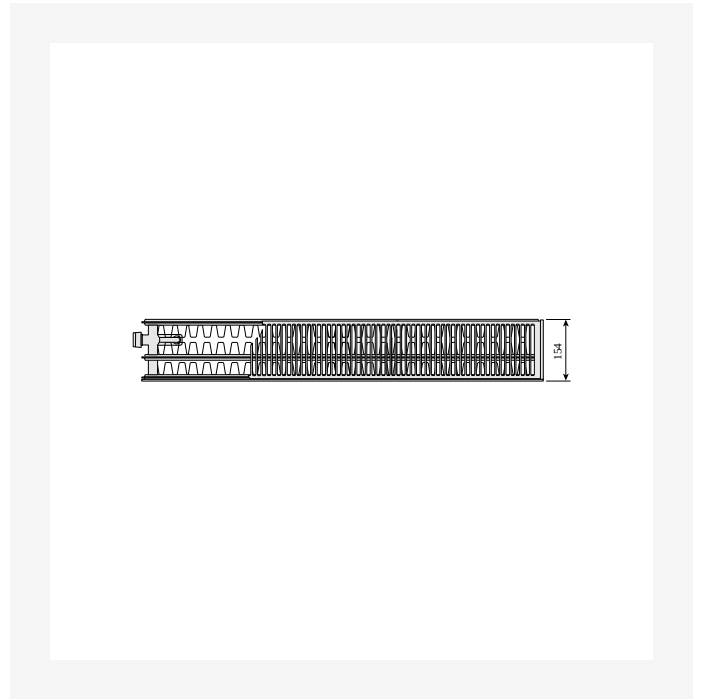
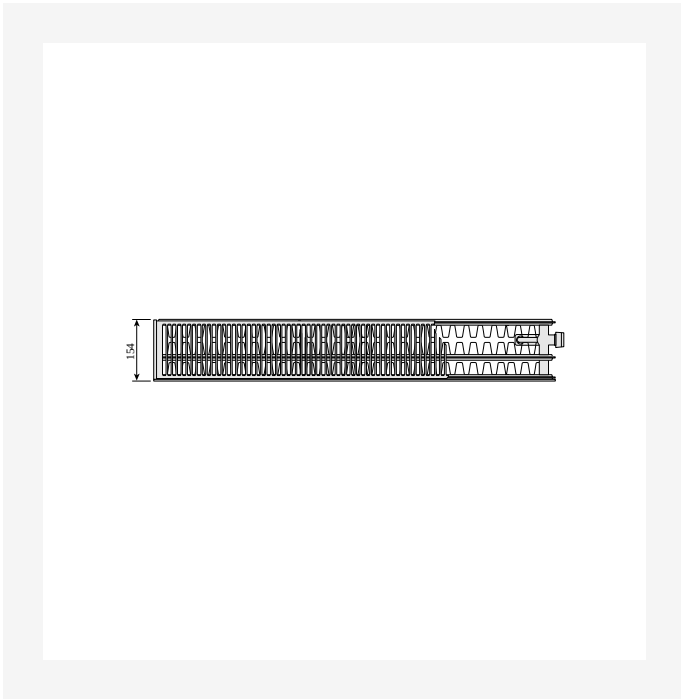
DimensionalDrawing - Ramo Ventil Compact, pa kreisi, skats no priekšpuses



DimensionalDrawing - Ramo Ventil Compact, pa labi, skats no priekšpuses

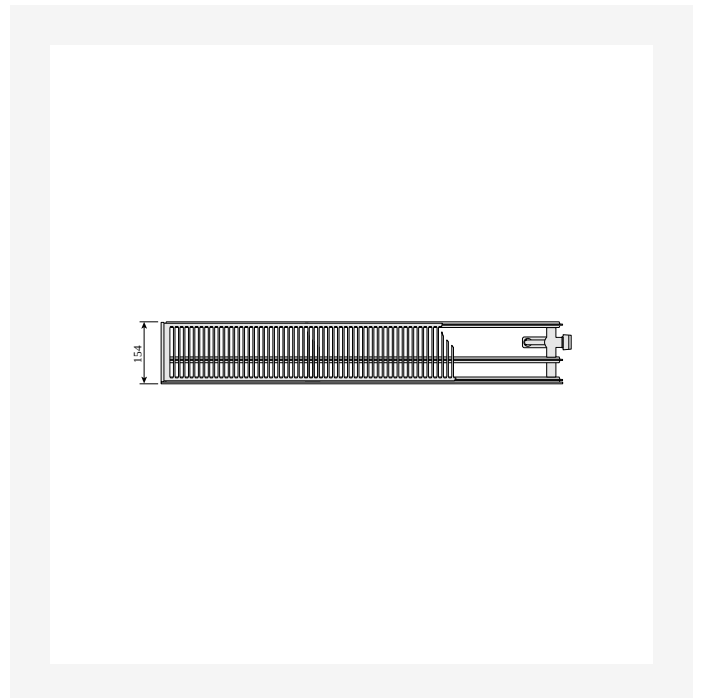
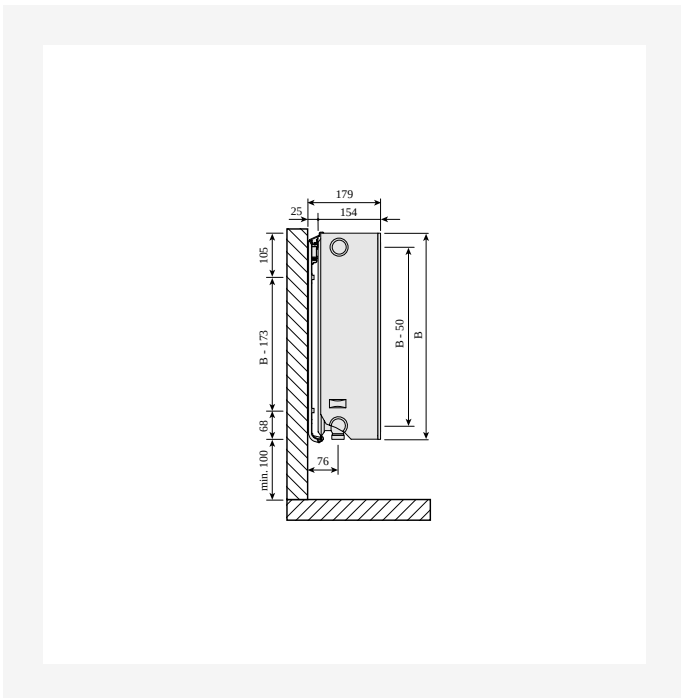


Resursi



DimensionalDrawing - Plan Ventil Compact un Ramo Ventil Compact, tips 33, pa labi, skats no augšas

DimensionalDrawing - Plan Ventil Compact un Ramo Ventil Compact, tips 33, pa kreisi, skats no augšas

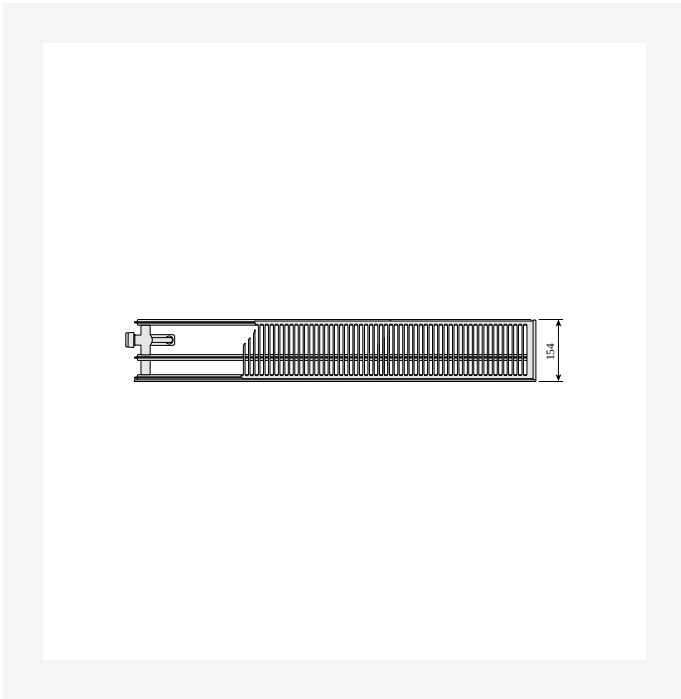


DimensionalDrawing - Plan Ventil Compact un Ramo Ventil Compact, tipi 30-33, skats no sāniem

DimensionalDrawing - Plan Ventil Compact un Ramo Ventil Compact, tips 30, pa labi, skats no augšas



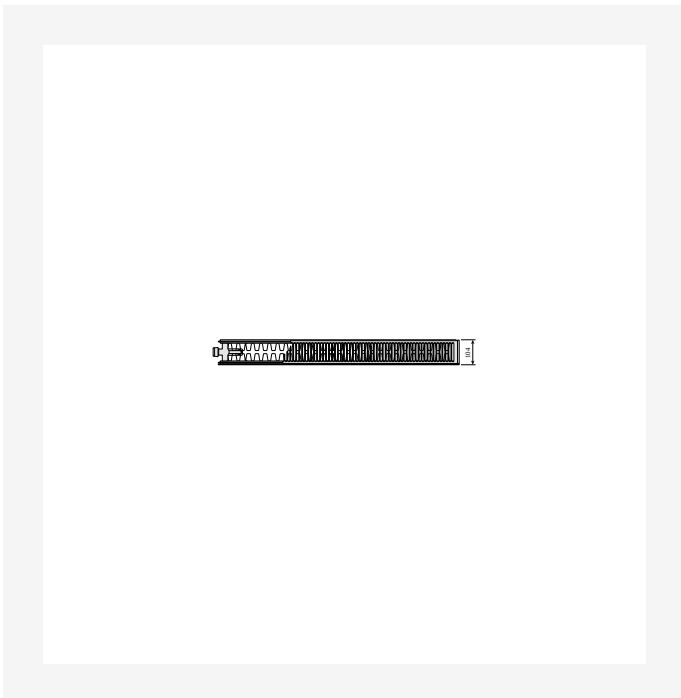
Resursi



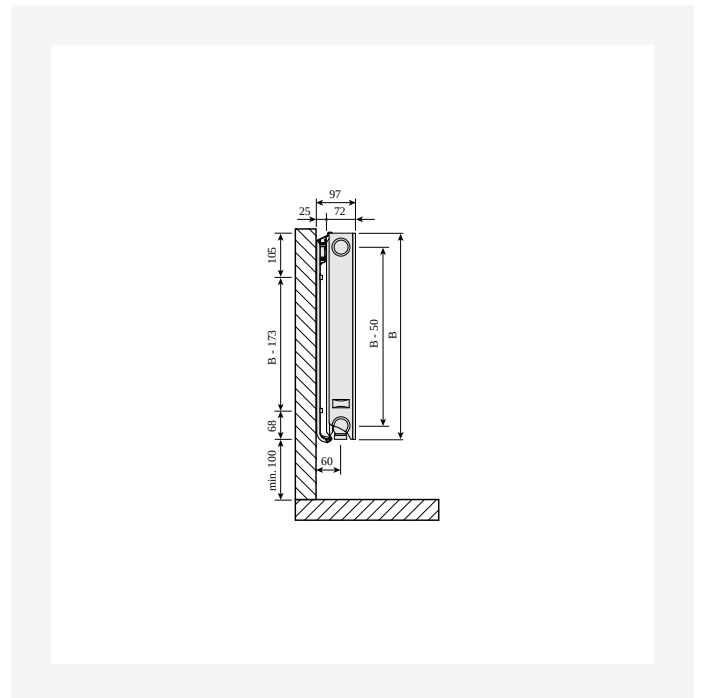
DimensionalDrawing - Plan Ventil Compact un Ramo Ventil Compact, tips 30, pa kreisi, skats no augšas



DimensionalDrawing - Plan Ventil Compact un Ramo Ventil Compact, tips 22, pa labi, skats no augšas



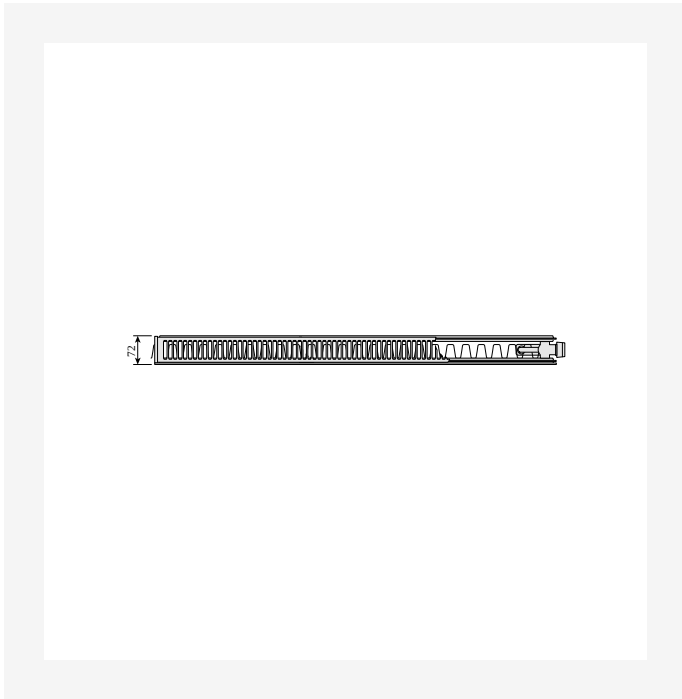
DimensionalDrawing - Plan Ventil Compact un Ramo Ventil Compact, tips 22, pa kreisi, skats no augšas



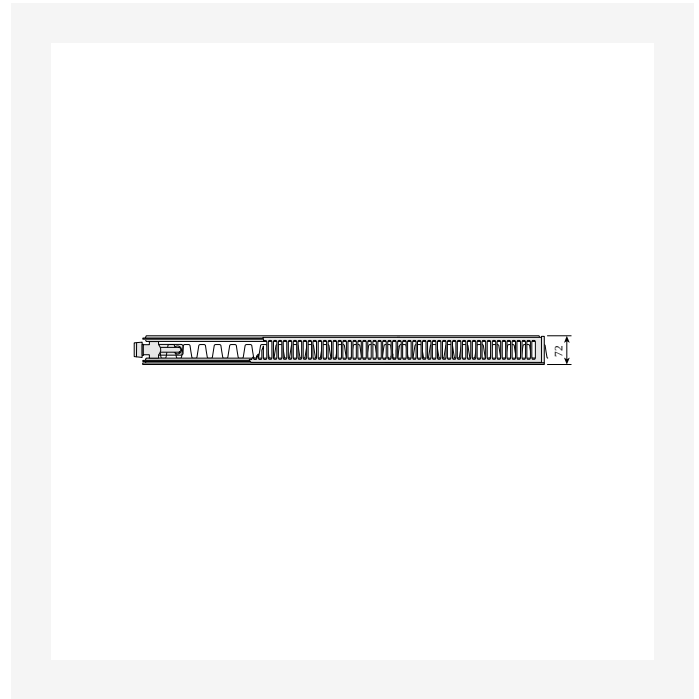
DimensionalDrawing - Plan Ventil Compact un Ramo Ventil Compact, tips 21s, skats no sāniem



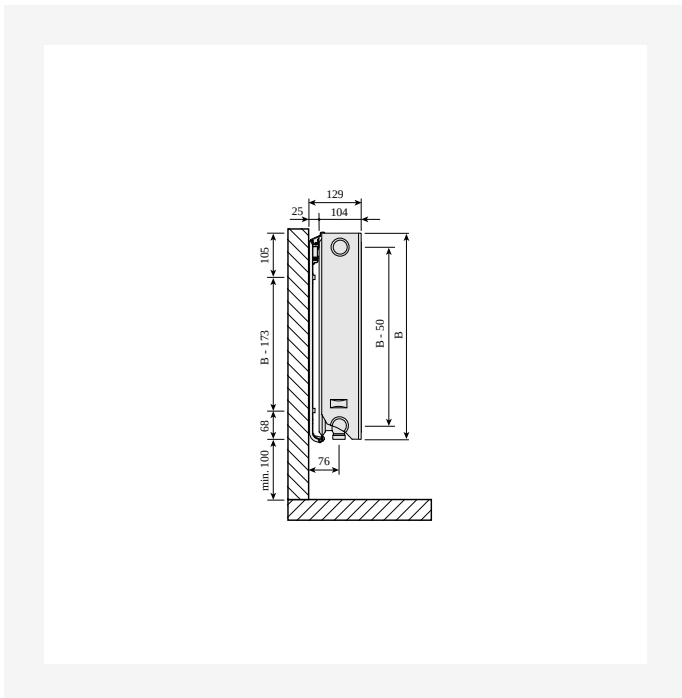
Resursi



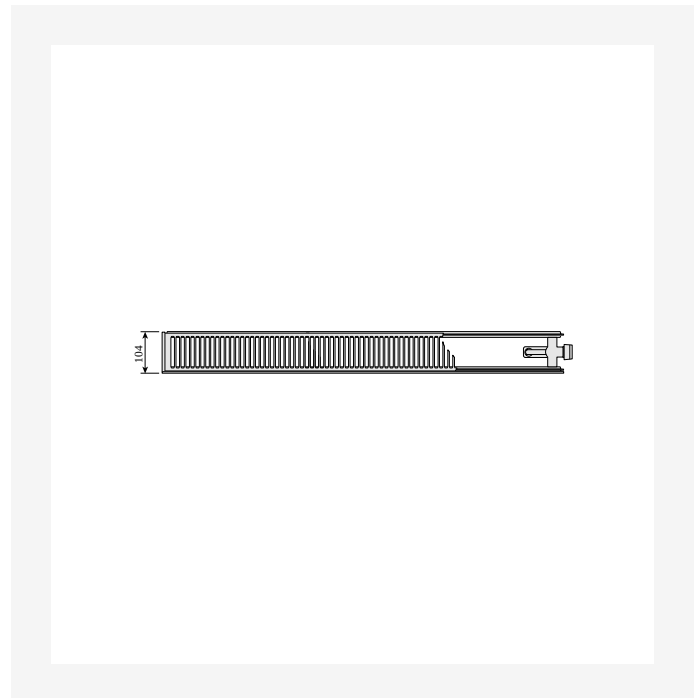
Dimensional Drawing - Plan Ventil Compact un Ramo Ventil Compact, tips 21s, pa labi, skats no augšas



Dimensional Drawing - Plan Ventil Compact un Ramo Ventil Compact, tips 21s, pa kreisi, skats no augšas



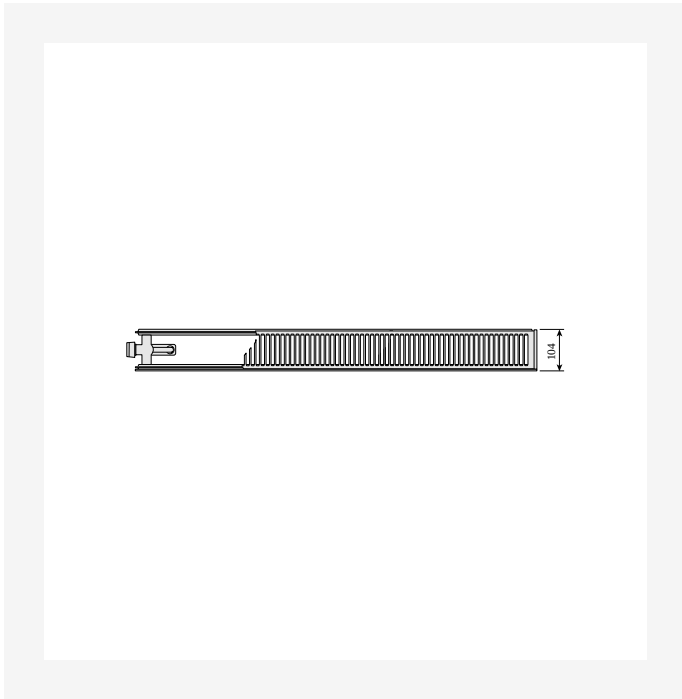
Dimensional Drawing - Plan Ventil Compact un Ramo Ventil Compact, tipi 20-22, skats no sāniem



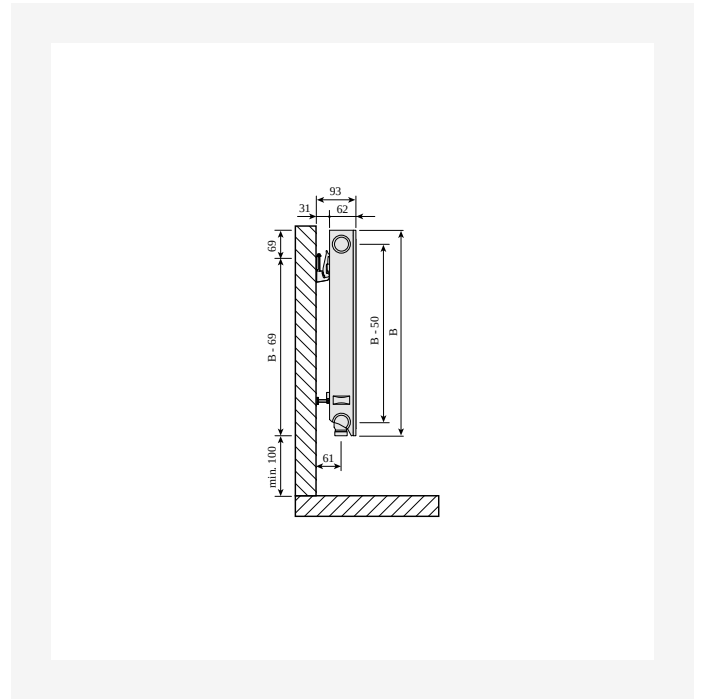
Dimensional Drawing - Plan Ventil Compact un Ramo Ventil Compact, tips 20, pa labi, skats no augšas



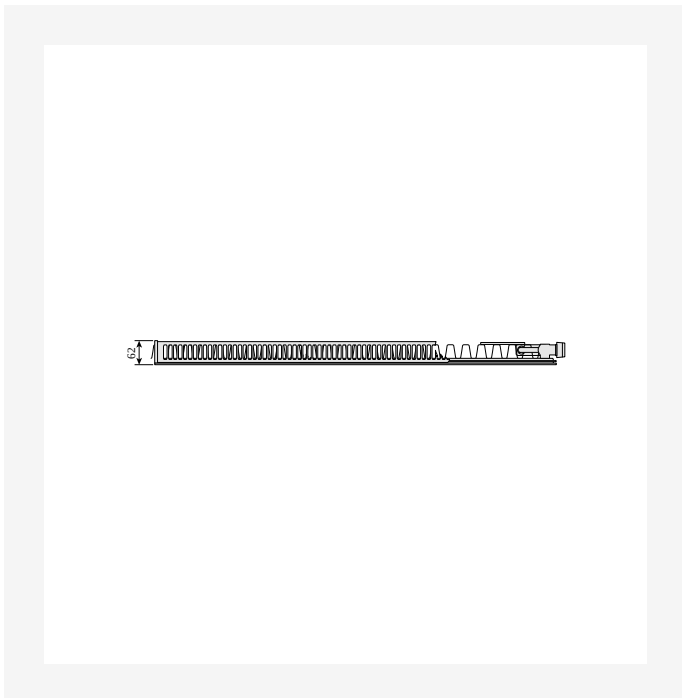
Resursi



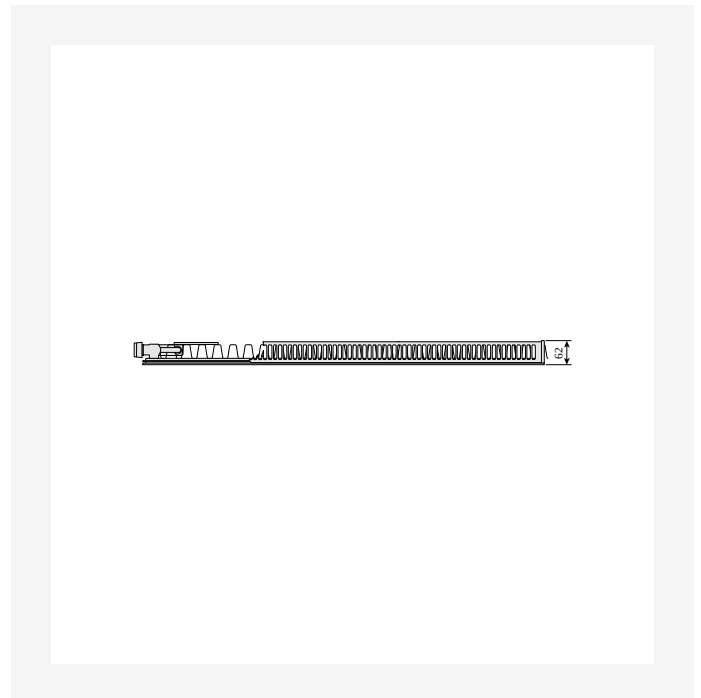
DimensionalDrawing - Plan Ventil Compact un Ramo Ventil Compact, tips 20, pa kreisi, skats no augšas



DimensionalDrawing - Plan Ventil Compact un Ramo Ventil Compact, tips 11, skats no sāniem



DimensionalDrawing - Plan Ventil Compact un Ramo Ventil Compact, tips 11, pa labi, skats no augšas



DimensionalDrawing - Plan Ventil Compact un Ramo Ventil Compact, tips 11, pa kreisi, skats no augšas



300

AUGSTUMS 300 mm	GARUMS	DZIĻUMS	Jauda (W) 45/35/20°C	Jauda (W) 55/45/20°C	Jauda (W) 60/45/20°C	TILPUMS (l)	N- ekponents	SVARS (kg)
Tips 11								
400	62	FOG1103004010300	64	110	119	0.7	1.28	5.6
500	62	FOG1103005010310	80	137	149	0.8	1.28	6.7
700	62	FOG1103007010310 FOG1103007010300	111	192	208	1.2	1.28	8.8
900	62	FOG1103009010300	143	247	268	1.5	1.28	19
1000	62	FOG1103010010300	159	275	297	1.7	1.28	11.9
1200	62	FOG1103012010310	191	330	357	2.0	1.28	14.6
1400	62	FOG1103014010310 FOG1103014010300	223	385	416	2.4	1.28	16.2
1600	62	FOG1103016010300	254	440	476	2.7	1.28	18.3
1800	62	FOG1103018010310	286	495	535	3.1	1.28	24
2000	62	FOG1103020010300	318	550	595	3.4	1.28	22.5
2600	62	FOG1103026010310 FOG1103026010300	413	715	773	4.4	1.28	28.9
3000	62	FOG1103030010310	477	824	892	5.1	1.28	33.1
Tips 21								
500	72	FOG2103005011310 FOG2103005011300	110	190	206	1.7	1.28	9.2
600	72	FOG2103006011300	132	229	247	2.0	1.28	17
800	72	FOG2103008011300	177	305	330	2.7	1.28	14.2
1100	72	FOG2103011011310	243	419	453	3.7	1.28	0.0
1200	72	FOG2103012011310	265	457	495	4.1	1.28	19.7
1400	72	FOG2103014011300	309	533	577	4.8	1.28	22.7
1600	72	FOG2103016011300	353	610	660	5.4	1.28	25.8
2000	72	FOG2103020011300	442	762	824	6.8	1.28	31.8
2600	72	FOG2103026011310	574	990	1072	8.8	1.28	4.9
3000	72	FOG2103030011300	662	1143	1237	10.2	1.28	46.9
Tips 22								



300

AUGSTUMS 300 mm	GARUMS	DZĪLUMS		Jauda (W) 45/35/20°C	Jauda (W) 55/45/20°C	Jauda (W) 60/45/20°C	TILPUMS (l)	N- ekponents	SVARS (kg)
	400	104	FOG2203004011300	111	193	209	1.4	1.30	8.6
	500	104	FOG2203005011310	138	241	261	1.7	1.30	12
	600	104	FOG2203006011310	166	289	314	2.0	1.30	11.9
	800	104	FOG2203008011310	222	386	418	2.7	1.30	15.2
	900	104	FOG2203009011310	249	434	470	3.1	1.30	16.9
	1000	104	FOG2203010011310	277	482	523	3.4	1.30	18.5
	1100	104	FOG2203011011310	305	531	575	3.7	1.30	21.0
	1200	104	FOG2203012011300	332	579	627	4.1	1.30	21.9
	1400	104	FOG2203014011310	388	675	732	4.8	1.30	25.2
	1600	104	FOG2203016011310	443	772	836	5.4	1.30	28.5
	2300	104	FOG2203023011310 FOG2203023011300	637	1109	1202	7.8	1.30	4.1
	2600	104	FOG2203026011310	720	1254	1359	8.8	1.30	45.1
	3000	104	FOG2203030011310	831	1447	1568	10.2	1.30	51.8
Tips 33									
	400	154	FOG3303004011300	153	268	291	2.0	1.32	11.7
	600	154	FOG3303006011300	230	403	437	3.1	1.32	16.4
	700	154	FOG3303007011310 FOG3303007011300	268	470	509	3.6	1.32	18.8
	800	154	FOG3303008011300	306	537	582	4.1	1.32	21.2
	1000	154	FOG3303010011310	383	671	728	5.1	1.32	25.9
	1100	154	FOG3303011011310 FOG3303011011300	421	738	800	5.6	1.32	28.3
	1200	154	FOG3303012011310	459	805	873	6.1	1.32	3.6
	1400	154	FOG3303014011310	536	939	1019	7.1	1.32	35.4
	1600	154	FOG3303016011310 FOG3303016011300	612	1073	1164	8.2	1.32	4.1
	2000	154	FOG3303020011310	765	1342	1455	10.2	1.32	49.6
	2300	154	FOG3303023011300	880	1543	1674	11.7	1.32	56.8
	2600	154	FOG3303026011300	995	1744	1892	13.3	1.32	63.8



300

AUGSTUMS 300 mm	GARUMS	DZILUMS	Jauda (W) 45/35/20°C	Jauda (W) 55/45/20°C	Jauda (W) 60/45/20°C	TILPUMS (l)	N- ekponents	SVARS (kg)	
	3000	154	FOG3303030011300	1148	2013	2183	15.3	1.32	73.3



400

AUGSTUMS 400 mm	GARUMS	DZĪLUMS	Jauda (W) 45/35/20°C	Jauda (W) 55/45/20°C	Jauda (W) 60/45/20°C	TILPUMS (l)	N- ekponents	SVARS (kg)
Tips 11								
400	62	FOG1104004010310	82	141	153	0.9	1.28	7.4
500	62	FOG1104005010310	102	177	191	1.1	1.28	8.5
700	62	FOG1104007010310 FOG1104007010300	143	247	268	1.5	1.28	11.4
800	62	FOG1104008010300	163	283	306	1.8	1.28	12.8
900	62	FOG1104009010300	184	318	344	2.0	1.28	14.3
1000	62	FOG1104010010310	204	353	382	2.2	1.28	15.7
1100	62	FOG1104011010300	225	389	421	2.4	1.28	17.1
1200	62	FOG1104012010310 FOG1104012010300	245	424	459	2.6	1.28	18.6
1400	62	FOG1104014010300	286	494	535	3.1	1.28	21.4
1600	62	FOG1104016010310 FOG1104016010300	327	565	612	3.5	1.28	24.3
1800	62	FOG1104018010310 FOG1104018010300	368	636	688	4.0	1.28	27.2
Tips 21								
400	72	FOG2104004011300	111	193	209	1.8	1.28	10.4
500	72	FOG2104005011300	139	241	261	2.3	1.28	12.0
600	72	FOG2104006011310	167	289	313	2.7	1.28	14.0
700	72	FOG2104007011310	195	337	365	3.1	1.28	16.0
800	72	FOG2104008011310	223	386	417	3.6	1.28	18.0
900	72	FOG2104009011300	251	434	470	4.0	1.28	20.0
1000	72	FOG2104010011310 FOG2104010011300	279	482	522	4.5	1.28	22.0
1100	72	FOG2104011011310	306	530	574	5.0	1.28	24.0
1200	72	FOG2104012011300	334	578	626	5.4	1.28	26.0
Tips 22								
500	104	FOG2204005011300	175	307	333	2.3	1.31	13.4
700	104	FOG2204007011310	246	430	466	3.1	1.31	17.9
900	104	FOG2204009011310 FOG2204009011300	316	552	599	4.0	1.31	22.4



400

AUGSTUMS 400 mm	GARUMS	DZĪLUMS		Jauda (W) 45/35/20°C	Jauda (W) 55/45/20°C	Jauda (W) 60/45/20°C	TILPUMS (l)	N- ekponents	SVARS (kg)
	1100	104	FOG2204011011310 FOG2204011011300	386	675	732	5.0	1.31	27.0
	1200	104	FOG2204012011300	421	736	798	5.4	1.31	29.2
	1400	104	FOG2204014011310	491	859	931	6.3	1.31	33.8
	1600	104	FOG2204016011310 FOG2204016011300	561	982	1064	7.2	1.31	38.3
	2000	104	FOG2204020011300	702	1227	1331	9.0	1.31	47.4
	2300	104	FOG2204023011300	807	1411	1530	10.3	1.31	54.2
	2600	104	FOG2204026011310	912	1595	1730	11.7	1.31	7.0
	3000	104	FOG2204030011310 FOG2204030011300	1053	1841	1996	13.5	1.31	7.5
Tips 33									
	400	154	FOG3304004011300	192	338	367	2.7	1.32	15.3
	500	154	FOG3304005011300	240	423	459	3.4	1.32	18.5
	600	154	FOG3304006011300	288	508	551	4.0	1.32	21.7
	700	154	FOG3304007011310 FOG3304007011300	336	592	643	4.7	1.32	24.9
	800	154	FOG3304008011300	385	677	734	5.4	1.32	28.7
	900	154	FOG3304009011300	433	761	826	6.0	1.32	31.3
	1000	154	FOG3304010011310	481	846	918	6.7	1.32	34.4
	1100	154	FOG3304011011310	529	930	1010	7.4	1.32	37.6
	1200	154	FOG3304012011310 FOG3304012011300	577	1015	1102	8.0	1.32	4.8
	1600	154	FOG3304016011300	769	1353	1469	10.7	1.32	53.6
	1800	154	FOG3304018011300	865	1523	1652	12.1	1.32	59.9
	2000	154	FOG3304020011310 FOG3304020011300	961	1692	1836	13.4	1.32	66.3
	2300	154	FOG3304023011300	1106	1946	2111	15.4	1.32	75.9
	2600	154	FOG3304026011310	1250	2199	2387	17.4	1.32	85.4
	3000	154	FOG3304030011310	1442	2538	2754	20.1	1.32	102.1



500

AUGSTUMS 500 mm	GARUMS DZIĻUMS		Jauda (W) 45/35/20°C	Jauda (W) 55/45/20°C	Jauda (W) 60/45/20°C	TILPUMS (l)	N- ekponents	SVARS (kg)
Tips 11								
500	62	FOG1105005010310	124	214	231	1.4	1.28	15
600	62	FOG1105006010300	148	256	278	1.6	1.28	12.3
700	62	FOG1105007010310 FOG1105007010300	173	299	324	1.9	1.28	14.6
800	62	FOG1105008010300	198	342	370	2.2	1.28	15.8
900	62	FOG1105009010300	223	385	416	2.4	1.28	17.6
1100	62	FOG1105011010300	272	470	509	3.0	1.28	21.1
1800	62	FOG1105018010300	445	769	833	4.9	1.28	33.4
2300	62	FOG1105023010310 FOG1105023010300	569	983	1064	6.2	1.28	42.2
Tips 21								
500	72	FOG2105005011300	166	288	312	2.8	1.29	14.6
600	72	FOG2105006011310	199	345	374	3.3	1.29	17.5
700	72	FOG2105007011300	232	403	436	3.9	1.29	19.6
800	72	FOG2105008011310	266	461	499	4.4	1.29	22.2
900	72	FOG2105009011310	299	518	561	5.0	1.29	24.6
1400	72	FOG2105014011300	465	806	873	7.7	1.29	37.3
1600	72	FOG2105016011310	531	921	997	8.8	1.29	42.4
1800	72	FOG2105018011300	597	1036	1122	9.9	1.29	47.5
2600	72	FOG2105026011310 FOG2105026011300	863	1497	1621	14.3	1.29	67.8
Tips 22								
400	104	FOG2205004011310 FOG2205004011300	168	294	319	2.2	1.32	13.7
500	104	FOG2205005011300	210	368	399	2.8	1.32	16.5
600	104	FOG2205006011310	251	442	479	3.3	1.32	19.3
700	104	FOG2205007011300	293	515	559	3.9	1.32	22.2
900	104	FOG2205009011300	377	662	718	5.0	1.32	27.8
1000	104	FOG2205010011310 FOG2205010011300	419	736	798	5.5	1.32	3.6



500

AUGSTUMS 500 mm	GARUMS	DZIĻUMS		Jauda (W) 45/35/20°C	Jauda (W) 55/45/20°C	Jauda (W) 60/45/20°C	TILPUMS (l)	N- ekponents	SVARS (kg)
	1200	104	FOG2205012011310 FOG2205012011300	503	883	958	6.6	1.32	36.2
	1400	104	FOG2205014011310 FOG2205014011300	587	1030	1118	7.7	1.32	41.9
	2300	104	FOG2205023011300	964	1692	1836	12.7	1.32	67.2
	2600	104	FOG2205026011300	1089	1913	2076	14.3	1.32	75.7
	3000	104	FOG2205030011310 FOG2205030011300	1257	2208	2395	16.5	1.32	87.0
Tips 33									
	500	154	FOG3305005011310 FOG3305005011300	286	505	548	4.1	1.33	22.8
	600	154	FOG3305006011300	343	606	657	4.9	1.33	27.0
	800	154	FOG3305008011310	457	807	877	6.6	1.33	35.2
	900	154	FOG3305009011300	514	908	986	7.4	1.33	40.0
	1000	154	FOG3305010011310	571	1009	1096	8.2	1.33	43.2
	1100	154	FOG3305011011300	629	1110	1205	9.0	1.33	47.2
	1200	154	FOG3305012011300	686	1211	1315	9.8	1.33	51.3
	1600	154	FOG3305016011300	914	1615	1753	13.1	1.33	67.6
	2000	154	FOG3305020011310 FOG3305020011300	1143	2018	2192	16.4	1.33	83.8
	3000	154	FOG3305030011310	1714	3028	3287	24.6	1.33	124.5



600

AUGSTUMS 600 mm	GARUMS	DZILUMS	Jauda (W) 45/35/20°C	Jauda (W) 55/45/20°C	Jauda (W) 60/45/20°C	TILPUMS (l)	N- ekponents	SVARS (kg)
Tips 11								
400	62	FOG1106004010310 FOG1106004010300	115	200	216	1.3	1.28	1.3
500	62	FOG1106005010310 FOG1106005010300	144	249	270	1.6	1.28	12.4
700	62	FOG1106007010300	202	349	378	2.2	1.28	16.7
800	62	FOG1106008010310	231	399	432	2.6	1.28	18.9
900	62	FOG1106009010310 FOG1106009010300	260	449	486	2.9	1.28	3.0
1000	62	FOG1106010010310	289	499	540	3.2	1.28	23.1
1100	62	FOG1106011010310	317	549	594	3.5	1.28	25.2
1400	62	FOG1106014010310 FOG1106014010300	404	699	756	4.5	1.28	31.6
1600	62	FOG1106016010310 FOG1106016010300	462	798	864	5.1	1.28	35.9
1800	62	FOG1106018010310	519	898	972	5.8	1.28	4.2
2000	62	FOG1106020010310 FOG1106020010300	577	998	1080	6.4	1.28	44.4
2300	62	FOG1106023010300	664	1148	1242	7.4	1.28	5.8
2600	62	FOG1106026010310 FOG1106026010300	750	1297	1404	8.3	1.28	57.2
3000	62	FOG1106030010300	866	1497	1620	9.6	1.28	65.7
Tips 21								
400	72	FOG2106004011310 FOG2106004011300	153	266	288	2.6	1.30	14.4
900	72	FOG2106009011310 FOG2106009011300	344	598	648	5.9	1.30	29.7
1200	72	FOG2106012011310	458	797	863	7.9	1.30	38.8
1400	72	FOG2106014011310	535	930	1007	9.2	1.30	44.9
1800	72	FOG2106018011310	687	1195	1295	11.9	1.30	57.1
2300	72	FOG2106023011300	878	1527	1655	15.2	1.30	72.4
2600	72	FOG2106026011300	993	1727	1871	17.2	1.30	81.5
Tips 22								
400	104	FOG2206004011300	193	340	369	2.6	1.33	16.4
500	104	FOG2206005011310	241	425	461	3.3	1.33	19.8



600

AUGSTUMS 600 mm	GARUMS	DZIĻUMS		Jauda (W) 45/35/20°C	Jauda (W) 55/45/20°C	Jauda (W) 60/45/20°C	TILPUMS (l)	N- ekponents	SVARS (kg)
	800	104	FOG2206008011310	386	680	738	5.3	1.33	3.2
	900	104	FOG2206009011300	434	765	830	5.9	1.33	33.7
	1000	104	FOG2206010011300	482	850	922	6.6	1.33	37.1
	1400	104	FOG2206014011310 FOG2206014011300	675	1190	1291	9.2	1.33	5.9
	1800	104	FOG2206018011310	867	1530	1660	11.9	1.33	64.7
	2300	104	FOG2206023011310 FOG2206023011300	1108	1955	2122	15.2	1.33	82.3

Tips 33

	400	154	FOG3306004011300	263	465	506	3.9	1.34	22.5
	700	154	FOG3306007011310 FOG3306007011300	459	814	885	6.9	1.34	37.9
	800	154	FOG3306008011300	525	931	1011	7.8	1.34	42.0
	900	154	FOG3306009011300	591	1047	1138	8.8	1.34	46.8
	1000	154	FOG3306010011310 FOG3306010011300	656	1164	1264	9.8	1.34	51.7
	1400	154	FOG3306014011300	919	1629	1770	13.7	1.34	71.2
	1800	154	FOG3306018011310	1181	2094	2275	17.6	1.34	9.7
	2000	154	FOG3306020011310 FOG3306020011300	1313	2327	2528	19.6	1.34	14
	2300	154	FOG3306023011310	1510	2676	2907	22.5	1.34	115.1
	3000	154	FOG3306030011300	1969	3491	3792	29.4	1.34	149.9



900

AUGSTUMS 900 mm	GARUMS	DZĪLUMS		Jauda (W) 45/35/20°C	Jauda (W) 55/45/20°C	Jauda (W) 60/45/20°C	TILPUMS (l)	N- ekponents	SVARS (kg)
Tips 11									
	500	62	FOG1109005010310	199	346	375	2.3	1.30	18.2
	600	62	FOG1109006010310	239	416	451	2.7	1.30	21.4
	700	62	FOG1109007010300	278	485	526	3.1	1.30	24.6
	1000	62	FOG1109010010310 FOG1109010010300	398	693	751	4.5	1.30	34.3
	1200	62	FOG1109012010310	477	831	901	5.4	1.30	4.8
	1400	62	FOG1109014010310	557	970	1051	6.3	1.30	47.3
	1600	62	FOG1109016010310 FOG1109016010300	636	1109	1201	7.2	1.30	53.8
	2000	62	FOG1109020010300	795	1386	1502	9.0	1.30	66.7
Tips 21									
	400	72	FOG2109004011310 FOG2109004011300	202	357	387	3.6	1.34	2.9
	600	72	FOG2109006011310	302	535	581	5.4	1.34	3.2
	700	72	FOG2109007011300	353	624	678	6.3	1.34	34.8
	800	72	FOG2109008011310	403	713	775	7.2	1.34	39.4
	1200	72	FOG2109012011310	605	1070	1162	10.8	1.34	58.4
	1400	72	FOG2109014011300	705	1248	1355	12.6	1.34	67.3
Tips 22									
	500	104	FOG2209005011310 FOG2209005011300	325	578	628	4.5	1.35	28.9
	600	104	FOG2209006011310	390	693	753	5.4	1.35	34.9
	700	104	FOG2209007011300	455	809	879	6.3	1.35	39.2
	800	104	FOG2209008011310	520	924	1004	7.2	1.35	44.4
	900	104	FOG2209009011310	585	1040	1130	8.1	1.35	49.5
	1000	104	FOG2209010011310	650	1155	1256	9.0	1.35	54.6
	1400	104	FOG2209014011310	910	1617	1758	12.6	1.35	75.2
	1600	104	FOG2209016011310	1040	1848	2009	14.4	1.35	85.5
	1800	104	FOG2209018011310	1170	2080	2260	16.2	1.35	95.7



900

AUGSTUMS 900 mm	GARUMS	DZILUMS	Jauda (W) 45/35/20°C	Jauda (W) 55/45/20°C	Jauda (W) 60/45/20°C	TILPUMS (l)	N- ekponents	SVARS (kg)
Tips 33								
400	154	FOG3309004011310	354	633	688	5.3	1.36	33.8
500	154	FOG3309005011310	443	791	860	6.7	1.36	4.4
600	154	FOG3309006011300	531	949	1032	8.0	1.36	47.8
700	154	FOG3309007011300	620	1107	1204	9.3	1.36	55.2
800	154	FOG3309008011310	708	1266	1377	10.6	1.36	62.6
900	154	FOG3309009011310	797	1424	1549	12.0	1.36	69.9
1000	154	FOG3309010011310 FOG3309010011300	885	1582	1721	13.3	1.36	77.3
1200	154	FOG3309012011310	1062	1898	2065	16.0	1.36	92.6
1800	154	FOG3309018011300	1593	2848	3097	23.9	1.36	136.3
2000	154	FOG3309020011300	1770	3164	3441	26.6	1.36	151.3